

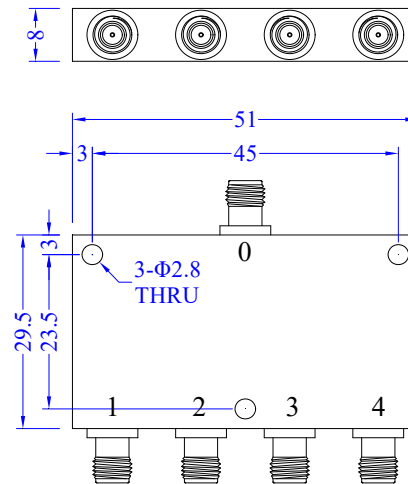
TMPD4-25002700-15K

**25 to 27 GHz, 15W, 2.92mm-Female
4-WAY POWER DIVIDER**

Electrical Characteristics

Frequency Range 25~27GHz
Insertion Loss 2.0dB max
 (excluding theoretical loss 6.0dB)
Amplitude Balance ± 0.7 dB max
Phase Balance $\pm 6^\circ$ max
VSWR(input port) 1.6:1 max
VSWR(output ports) 1.6:1 max
Isolation 15dB min, 18dB typ
Impedance 50 Ohms
Power Handling 15W

Outline Drawing(mm[inch])



Mechanical & Environmental Characteristics

Dimensions 51 × 29.5 × 8mm
RF Connectors 2.92mm-Female
Material Aluminum 6061
Surface Treatment Black Painted
Operating Temperature -40°C~+85°C
Storage Temperature -65°C~+125°C