

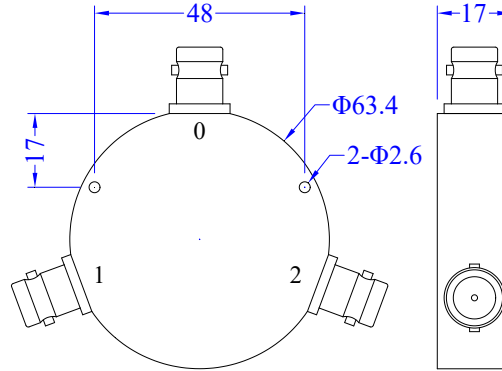
TMPD2-00000100-1B

**DC to 1 GHz, 1W, BNC-Female
2-WAY POWER DIVIDER**

Electrical Characteristics

Frequency Range	DC~1000MHz
Insertion Loss	6.5dB max
Amplitude Balance	±0.5dB max
Phase Balance	±5° max
VSWR(input port)	1.6:1 max
VSWR(output ports)	1.5:1 max
Isolation	6dB min
Impedance	50 Ohms
Power Handling	1W

Outline Drawing(mm[inch])



Mechanical & Environmental Characteristics

Dimensions	$\Phi 63.4 \times 17\text{mm}$
RF Connectors	BNC-Female
Material	Aluminum 6061
Operating Temperature	-10°C~+50°C
Storage Temperature	-40°C~+70°C