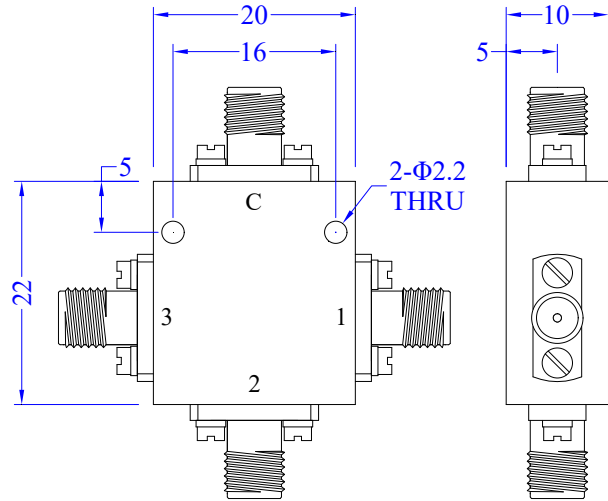


TMPD3-28003100-5K **28 to 31 GHz, 5W, 2.92mm-Female
3-WAY POWER DIVIDER**

Electrical Characteristics

- Frequency Range** 28~31GHz
- Insertion Loss** 2.0dB max
(excluding theoretical insertion loss 4.8dB)
- Amplitude Balance** ± 1.0 dB max
- Phase Balance** $\pm 10^\circ$ max
- VSWR(input port)** 1.5:1 max
- VSWR(output ports)** 1.5:1 max
- Isolation** 18dB min
- Impedance** 50 Ohms
- Power Handling** 5W

Outline Drawing(mm[inch])



Mechanical & Environmental Characteristics

- Dimensions** 20 × 22 × 10mm
- RF Connectors** 2.92mm-Female
- Material** Aluminum 6061
- Operating Temperature** -40°C~+70°C
- Storage Temperature** -50°C~+85°C
- Weight** 20g