

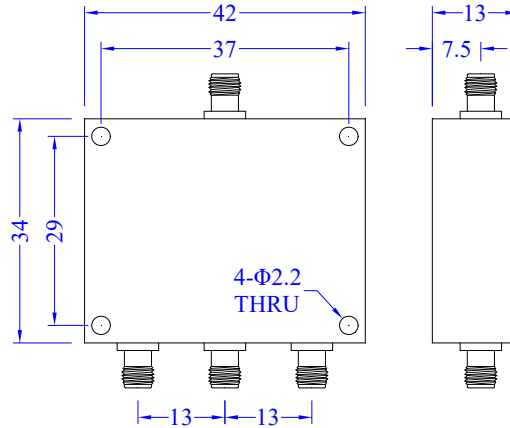
**TMPD3-1M0030-2S**

**1 to 300 MHz, 2W, SMA-Female  
3-WAY POWER DIVIDER**

**Electrical Characteristics**

**Outline Drawing(mm)**

- Frequency Range** ..... 1~300MHz
- Insertion Loss** ..... 1.0dB typ, 1.5dB max  
(excluding theoretical insertion loss 4.8dB)
- Amplitude Balance** .....  $\pm 0.4$ dB max
- Phase Balance** .....  $\pm 6^\circ$  max
- VSWR(input port)** ..... 1.2:1 typ, 1.3:1 max
- VSWR(output ports)** ..... 1.2:1 typ, 1.25:1 max
- Isolation** ..... 20dB min, 25dB typ
- Impedance** ..... 50 Ohms
- Power Handling** ..... 2W



**Mechanical & Environmental Characteristics**

- Dimensions** ..... 42 × 34 × 13mm
- RF Connectors** ..... SMA-Female
- Surface Finishing** ..... Black/Blue/Gray Paint
- Operating Temperature** ..... -40°C~+85°C
- Storage Temperature** ..... -50°C~+105°C