

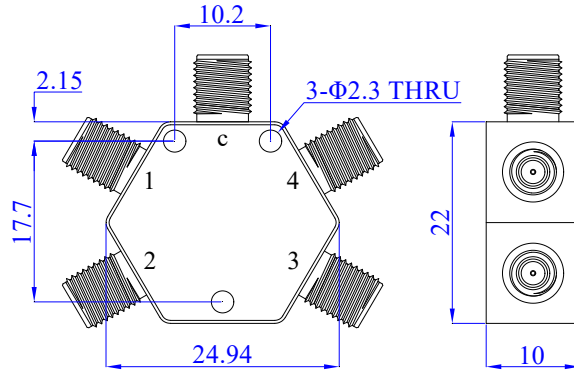
TMPD4-00001800-0.5S

**DC to 18 GHz, 0.5W, SMA-Female
4-WAY POWER DIVIDER**

Electrical Characteristics

Frequency Range	DC~18GHz
Insertion Loss	12.5dB typ, 13.5dB max
Amplitude Balance	±1dB typ, ±1.5dB max
Phase Balance	±6° typ, ±10° max
VSWR(input port)	1.6:1 typ, 1.8:1 max
VSWR(output ports)	2.0:1 typ, 2.5:1 max
Isolation	8dB min, 9dB typ
Impedance	50 Ohms
Power Handling	0.5W

Outline Drawing(mm[inch])



Mechanical & Environmental Characteristics

Dimensions	24.94 × 22 × 10mm
RF Connectors	SMA-Female
Operating Temperature	-40°C~+70°C
Weight	16g