

REV	DESCRIPTION OF REVISION	By	DATE	APPROVED
A	INITIAL RELEASE	C. Dai	2022/8/14	C. Chen

TECHNICAL DATA

► Electrical Data

Frequency Range	14.5-22GHz
Average Power	50W(CW), 3KW(PW)
VSWR	≤1.2

► Mechanical Data

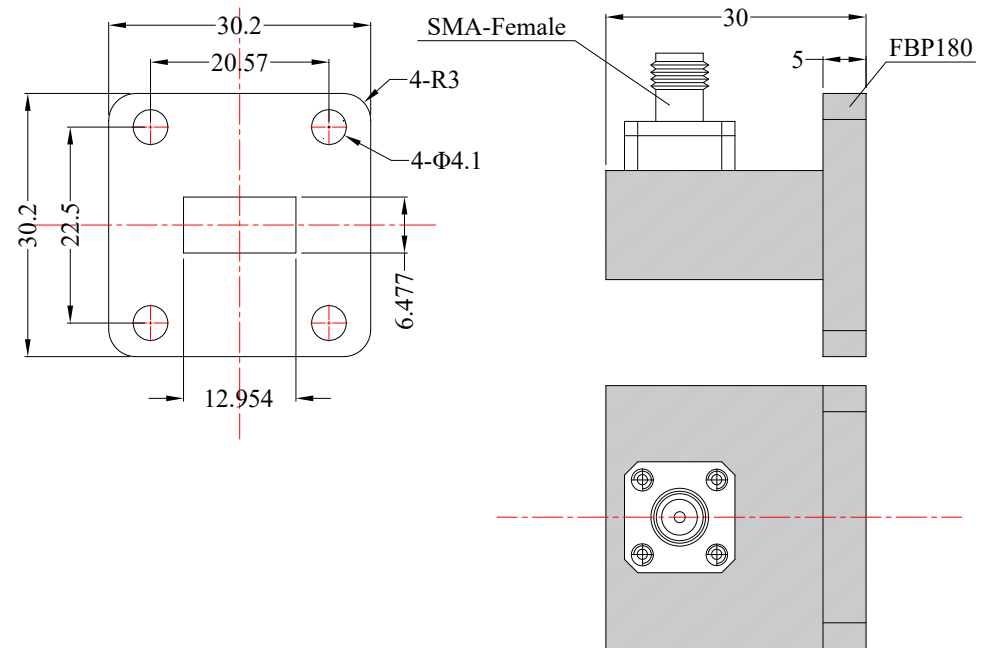
Waveguide Type	WR-51(BJ180)
Flange Type	FBP180
RF Connector	SMA-Female

► Materials Data

Material	Copper
Plating	Chromate
Surface Finish	Black Painted

► Environmental Data

Temperature	-55℃~+125℃
-------------	------------



DRAWN: L. Ma 14/08/22		
ENGINEER: J. Zhu 14/08/22		
APPROVED: C. Chen 14/08/22		
TOLERANCE UNLESS OTHERWISE SPECIFIED		
x	±0.50	[0.019"]
.x	±0.20	[0.008"]
.xx	±0.10	[0.004"]
ANGLES	±1°	

TITLE:
Waveguide to Coaxial
Adapter, WR-51 to SMA-
Female, 14.5-22GHz,
FBP180, Right Angle

PART No.:
R-WR51-SFEU

成都巨人微波
TITAN MICROWAVE INC.
- A Professional RF & Microwave Components Supplier -

www.titan-microwave.com



DIMENSIONS IN MILLIMETERS(mm)

SIZE: A4	SCALE:	SHEET: 1/1	REV: A
-------------	--------	---------------	-----------

Notes:

- ALL SPECIFICATIONS ARE SUBJECT TO CHANGE WITHOUT NOTICE AT ANY TIME
- CUSTOMER OUTLINE DRAWING FOR REFERENCE ONLY