

REV	DESCRIPTION OF REVISION	By	DATE	APPROVED
A	INITIAL RELEASE	C. Dai	2022/2/12	C. Chen

TECHNICAL DATA

► Electrical Data

Frequency Range	9.84-15GHz
Average Power	50W(CW), 3KW(PW)
VSWR	≤1.2

► Mechanical Data

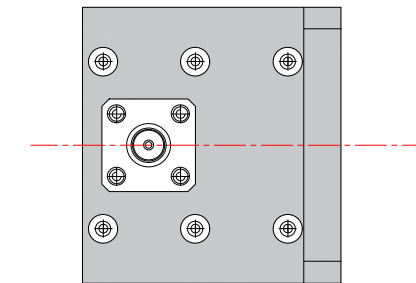
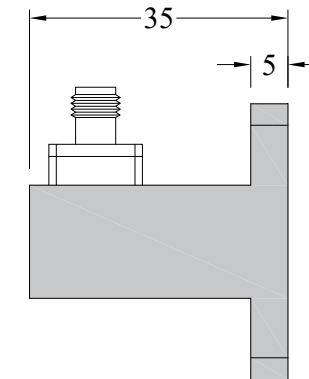
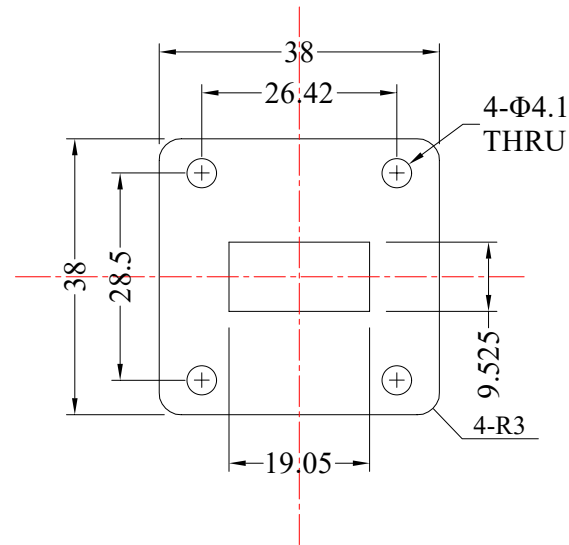
Waveguide Type	WR-75(BJ120)
Flange Type	FBP120
RF Connector	SMA-Female

► Materials Data

Material	Aluminum
Plating	Conductive Oxidation
Surface Finish	Black Painted

► Environmental Data

Temperature	-55℃~+125℃
-------------	------------



DRAWN: L. Ma 12/02/22		
ENGINEER: J. Zhu 12/02/22		
APPROVED: C. Chen 12/02/22		
TOLERANCE UNLESS OTHERWISE SPECIFIED		
x	±0.50	[0.019"]
.x	±0.20	[0.008"]
.xx	±0.10	[0.004"]
ANGLES	±1°	

TITLE:
Waveguide to Coaxial
Adapter, WR-75 to SMA-
Female, 9.84-15GHz,
FBP120, Right Angle

PART No.:
R-WR62-SFEU

 成都巨人微波
TITAN MICROWAVE INC.
- A Professional RF & Microwave Components Supplier -

www.titan-microwave.com



DIMENSIONS IN MILLIMETERS(mm)

SIZE: A4	SCALE:	SHEET: 1/1	REV: A
--------------------	---------------	----------------------	------------------

Notes:

1. ALL SPECIFICATIONS ARE SUBJECT TO CHANGE WITHOUT NOTICE AT ANY TIME
2. CUSTOMER OUTLINE DRAWING FOR REFERENCE ONLY