

REV	DESCRIPTION OF REVISION	By	DATE	APPROVED
A	INITIAL RELEASE	C. Dai	2022/4/16	C. Chen

## TECHNICAL DATA

### ► Electrical Data

Frequency Range	9.84-15GHz
Average Power	200W(CW)
VSWR	≤1.25
Insertion Loss	≤0.3dB

### ► Mechanical Data

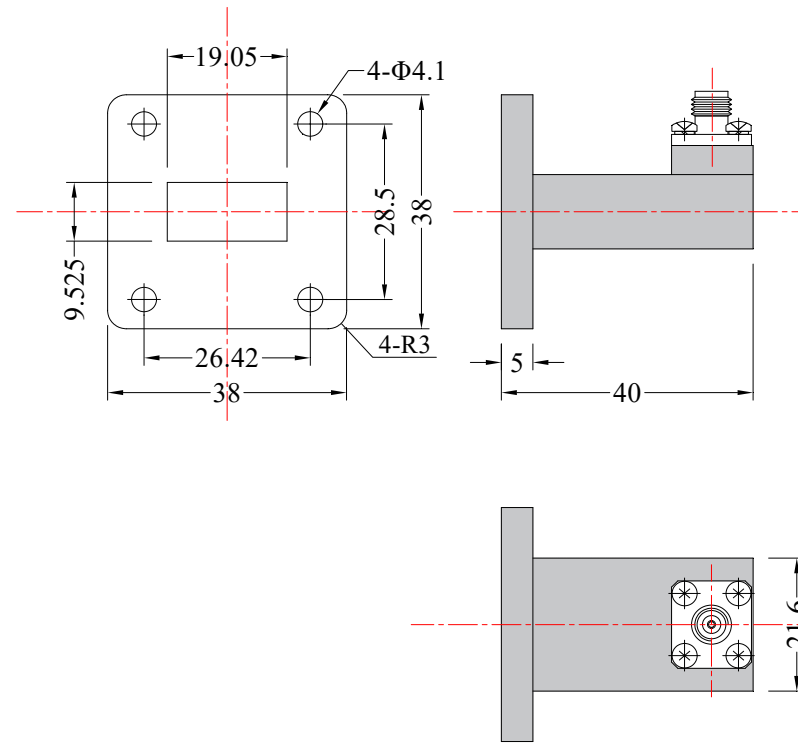
Waveguide Type	WR-75(BJ120)
Flange Type	FBP120
RF Connector	SMA-Female

### ► Materials Data

Material	Copper
Plating	Silver Plated
Surface Finish	Black/Gray Painted

### ► Environmental Data

Temperature	-55℃~+125℃
-------------	------------



#### Notes:

- ALL SPECIFICATIONS ARE SUBJECT TO CHANGE WITHOUT NOTICE AT ANY TIME
- CUSTOMER OUTLINE DRAWING FOR REFERENCE ONLY

DRAWN: L. Ma 16/04/22		
ENGINEER: J. Zhu 16/04/22		
APPROVED: C. Chen 16/04/22		
TOLERANCE UNLESS OTHERWISE SPECIFIED		
x	±0.50	[0.019"]
.x	±0.20	[0.008"]
.xx	±0.10	[0.004"]
ANGLES	±1°	

#### TITLE:

Waveguide to Coaxial  
Adapter, WR-75 to SMA-  
Female, 9.84-15GHz,  
FBP120, Right Angle

#### PART No.:

R-WR75-SFWT



[www.titan-microwave.com](http://www.titan-microwave.com)



DIMENSIONS IN MILLIMETERS(mm)

SIZE: A4	SCALE:	SHEET: 1/1	REV: A
-------------	--------	---------------	-----------