

REV	DESCRIPTION OF REVISION	By	DATE	APPROVED
A	INITIAL RELEASE	C. Dai	2022/2/12	C. Chen

## TECHNICAL DATA

### ► Electrical Data

Frequency Range	11.9-18GHz
Average Power	200W(CW), 2KW(PW)
VSWR	≤1.2

### ► Mechanical Data

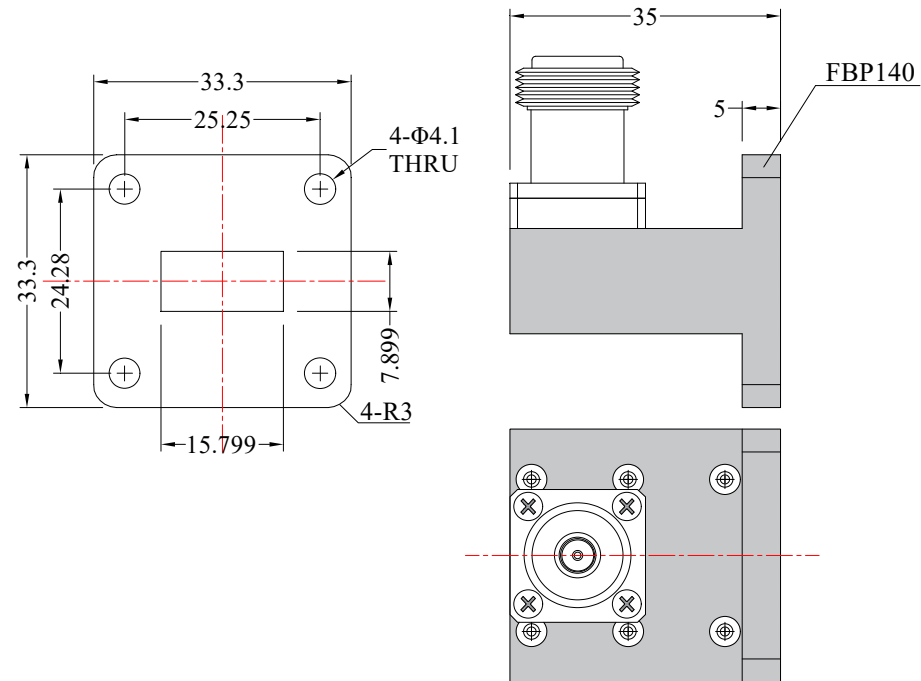
Waveguide Type	WR-62(BJ140)
Flange Type	FBP140
RF Connector	N-Female

### ► Materials Data

Material	Aluminum
Plating	Conductive Oxidation
Surface Finish	Black Painted

### ► Environmental Data

Temperature	-55℃~+125℃
-------------	------------



#### Notes:

1. ALL SPECIFICATIONS ARE SUBJECT TO CHANGE WITHOUT NOTICE AT ANY TIME
2. CUSTOMER OUTLINE DRAWING FOR REFERENCE ONLY

DRAWN: L. Ma 12/02/22		
ENGINEER: J. Zhu 12/02/22		
APPROVED: C. Chen 12/02/22		
TOLERANCE UNLESS OTHERWISE SPECIFIED		
x	±0.50	[0.019"]
.x	±0.20	[0.008"]
.xx	±0.10	[0.004"]
ANGLES	±1°	

#### TITLE:

Waveguide to Coaxial  
Adapter, WR-62 to N-  
Female, 11.9-18GHz,  
FBP140, Right Angle

#### PART No.:

R-WR62-NFEU



[www.titan-microwave.com](http://www.titan-microwave.com)



DIMENSIONS IN MILLIMETERS(mm)

SIZE: A4	SCALE:	SHEET: 1/1	REV: A
-------------	--------	---------------	-----------