

REV	DESCRIPTION OF REVISION	By	DATE	APPROVED
A	INITIAL RELEASE	C. Cai	2023/8/11	C. Chen

TECHNICAL DATA

► Electrical Data(50Ω, 25°C)

Frequency Range	0.02~6GHz
Output Power(CW)	37dBm min, 38dBm typ
Gain	35dB min, 40dB typ
Gain Flatness	±3.0dB typ
Gain Variation@-30°C~+65°C	±4.0dB typ
Input VSWR	2.0:1 typ
Max Input Power	+5dBm
Harmonic	-10dBc typ
IMD3, 2-Tone(27dBm/Tone)	-20dBc typ(1MHz Spacing)
Spurious	-60dBc max
Isolation	-45dB typ
Operating Voltage	+28V typ
Operating Current	0.5A typ, 1.5A max

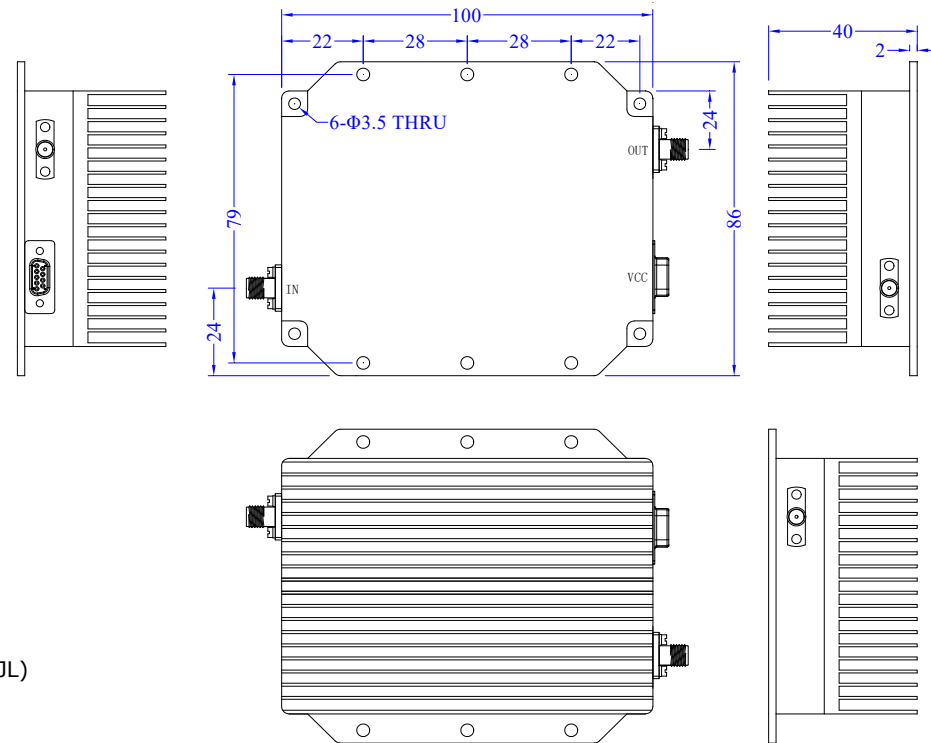
► Mechanical Data

Dimensions	100×86×40mm
Input Connector	SMA-Female
Output Connector	SMA-Female
DC Power/Interface Connector	J30J-9ZKW-J(compatible with J30J-9TJL)

► Environmental Data

Operating Temperature	-30°C~+60°C
Storage Temperature	-50°C~+105°C

! Stress above these ratings may cause permanent damage to the device
Radiator/Heatsink required during operation or test



DC Power Connector, J30J-9ZKW-J

Pin	Name	Function	Specifications
1	Enable	Input	Amplifier Enable:TTL High(5V)(Internally Pulled-High)
2,3,4,5	GND	Input	Ground
6,7,8,9	+28V	Input	+26V~+30VDC

DRAWN: L. Ma 11/08/23		
ENGINEER: J. Zhu 11/08/23		
APPROVED: C. Chen 11/08/23		
TOLERANCE UNLESS OTHERWISE SPECIFIED		
x	±0.50	[0.019"]
.x	±0.20	[0.008"]
.xx	±0.10	[0.004"]
ANGLES	±1°	

TITLE:
Power Amplifier, 0.02-6GHz, Gain 40dB, Output Power 38dBm, +28V, SMA-Female

PART No.:
TMPA-00020600-4038



www.titan-microwave.com



DIMENSIONS IN MILLIMETERS(mm)

SIZE: A4	SCALE:	SHEET: 1/1	REV: A
--------------------	---------------	----------------------	------------------

Notes:

- ALL SPECIFICATIONS ARE SUBJECT TO CHANGE WITHOUT NOTICE AT ANY TIME
- CUSTOMER OUTLINE DRAWING FOR REFERENCE ONLY