

REV	DESCRIPTION OF REVISION	By	DATE	APPROVED
A	INITIAL RELEASE	C. Cai	2023/9/18	C. Chen

TECHNICAL DATA

Electrical Data

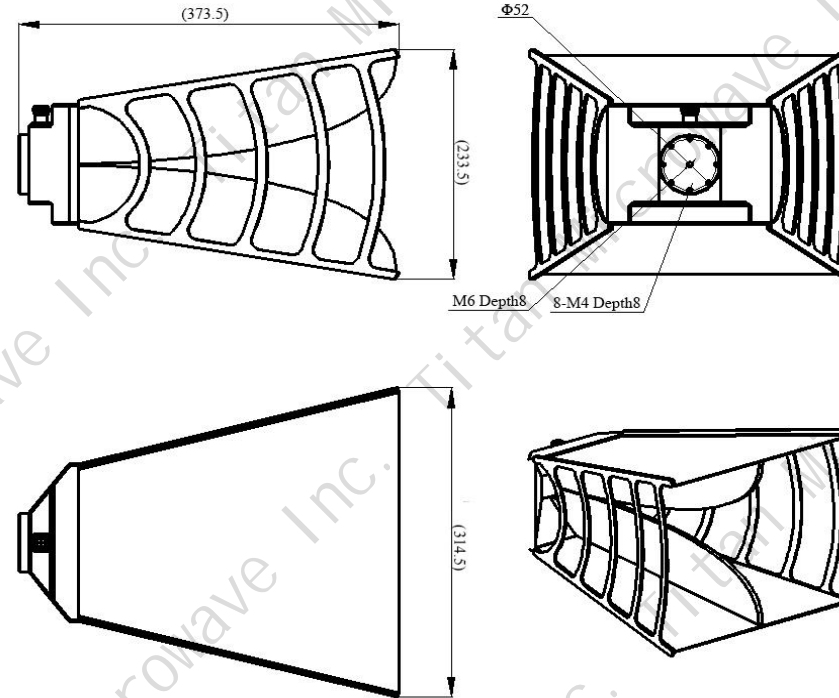
Frequency Range	0.5~6GHz
Gain	11dB typ
VSWR	2.0:1 typ
3dB Beam Width	25°~100°
Power Handling(design assurance)	250W typ
Polarization	Linear

Mechanical Data

Dimensions	375×315×234mm
Connector	N-Female
Surface Treatment	Grey Painted
Weight	2.6kg

Environmental Data

Operating Temperature	-25℃~+75℃(design assurance)
Storage Temperature	-45℃~+85℃(design assurance)



DRAWN: L. Ma 18/09/23		
ENGINEER: J. Zhu 18/09/23		
APPROVED: C. Chen 18/09/23		
TOLERANCE UNLESS OTHERWISE SPECIFIED		
x	±0.50	[0.019"]
.x	±0.20	[0.008"]
.xx	±0.10	[0.004"]
ANGLES	±1°	

TITLE:
 Double Ridged Horn
 Antenna, 0.5-6GHz, Gain
 11dB typ, Linear, 250W,
 N-Female

PART No.:
 TMDRHA-00500600-11N

成都巨人微波
TITAN MICROWAVE INC.
 - A Professional RF & Microwave Components Supplier -

www.titan-microwave.com



DIMENSIONS IN MILLIMETERS(mm)

SIZE: A4	SCALE:	SHEET: 1/1	REV: A
-------------	--------	---------------	-----------

Notes:

- ALL SPECIFICATIONS ARE SUBJECT TO CHANGE WITHOUT NOTICE AT ANY TIME
- CUSTOMER OUTLINE DRAWING FOR REFERENCE ONLY