

REV	DESCRIPTION OF REVISION	By	DATE	APPROVED
A	INITIAL RELEASE	C. Cai	2023/5/18	C. Chen

TECHNICAL DATA

► Electrical Data

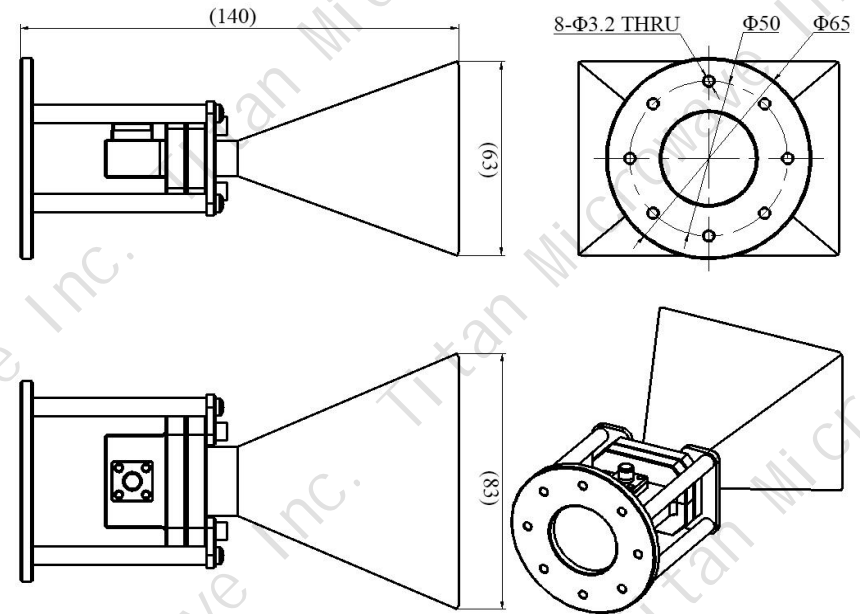
Frequency Range	6~20GHz
Gain	13dBi typ
VSWR	1.5:1 typ
Power Handling(design assurance)	20W
Polarization	Vertical

► Mechanical Data

Dimensions	84×58×145mm
Connector	SMA-Female
Surface Treatment	Grey Painted
Weight	200g

► Environmental Data

Operating Temperature	-25℃~+55℃(design assurance)
-----------------------	-----------------------------



DRAWN: L. Ma 18/05/23		
ENGINEER: J. Zhu 18/05/23		
APPROVED: C. Chen 18/05/23		
TOLERANCE UNLESS OTHERWISE SPECIFIED		
x	±0.50	[0.019"]
.x	±0.20	[0.008"]
.xx	±0.10	[0.004"]
ANGLES	±1°	

TITLE:
Broadband Horn Antenna,
6-20GHz, Gain 13dBi typ,
Vertical, 20W, SMA-
Female

PART No.:
TMBDHA-06002000-13S



www.titan-microwave.com



DIMENSIONS IN MILLIMETERS(mm)

SIZE: A4	SCALE:	SHEET: 1/1	REV: A
-------------	--------	---------------	-----------

Notes:

- ALL SPECIFICATIONS ARE SUBJECT TO CHANGE WITHOUT NOTICE AT ANY TIME
- CUSTOMER OUTLINE DRAWING FOR REFERENCE ONLY