

| REV | DESCRIPTION OF REVISION | By | DATE | APPROVED |
|-----|-------------------------|--------|-----------|----------|
| A | INITIAL RELEASE | C. Cai | 2023/5/18 | C. Chen |

TECHNICAL DATA

► Electrical Data

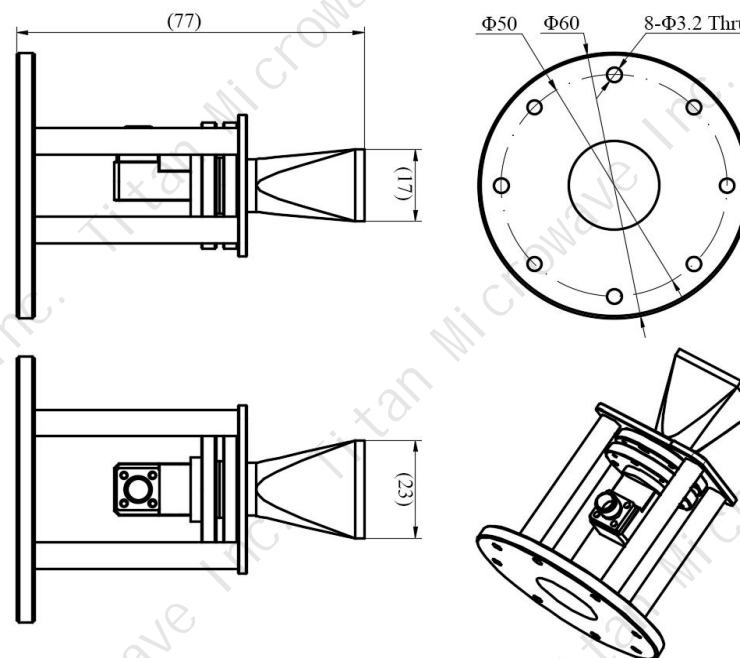
| | |
|-----------------|--------------|
| Frequency Range | 32.9~50.1GHz |
| Gain | 15dBi typ |
| VSWR | 1.35:1 typ |
| Power Handling | 50W typ |
| Polarization | Linear |

► Mechanical Data

| | |
|-------------------|--------------|
| Dimensions | Φ60×77mm |
| Connector | 2.4mm-Female |
| Waveguide | WR-22 |
| Surface Treatment | Grey Painted |
| Weight | 150g |

► Environmental Data

| | |
|-----------------------|-----------------------------|
| Operating Temperature | -25℃~+55℃(design assurance) |
| Storage Temperature | -45℃~+75℃(design assurance) |



Notes:

1. ALL SPECIFICATIONS ARE SUBJECT TO CHANGE WITHOUT NOTICE AT ANY TIME
2. CUSTOMER OUTLINE DRAWING FOR REFERENCE ONLY

| | | |
|--------------------------------------|-------|----------|
| DRAWN: L. Ma 18/05/23 | | |
| ENGINEER: J. Zhu 18/05/23 | | |
| APPROVED: C. Chen 18/05/23 | | |
| TOLERANCE UNLESS OTHERWISE SPECIFIED | | |
| x | ±0.50 | [0.019"] |
| .x | ±0.20 | [0.008"] |
| .xx | ±0.10 | [0.004"] |
| ANGLES | ±1° | |

TITLE:
Broadband Horn Antenna,
32.9-50.1GHz, Gain 15dBi
typ, Linear, 50W, 2.4mm-
Female

PART No.:
TMBDHA-32905010-154



www.titan-microwave.com



DIMENSIONS IN MILLIMETERS(mm)

| | | | |
|--------------------|---------------|----------------------|------------------|
| SIZE: A4 | SCALE: | SHEET: 1/1 | REV: A |
|--------------------|---------------|----------------------|------------------|