

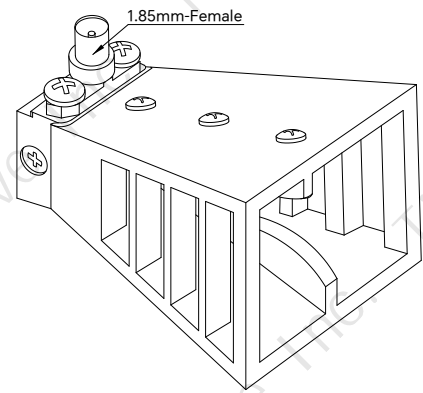
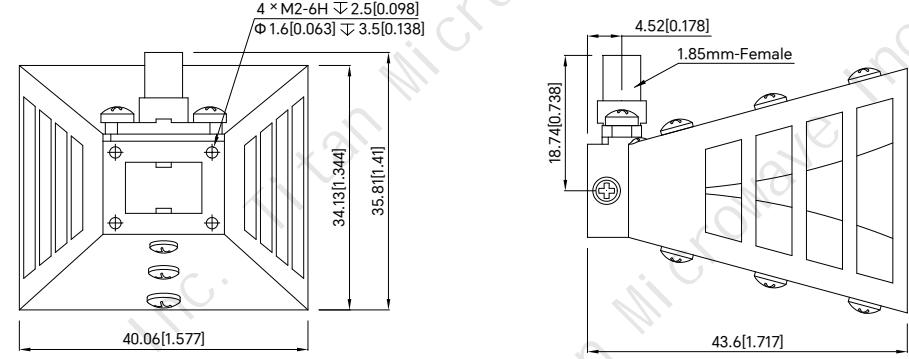
**PART NUMBER**  
**TMBDHA-06006700-13V**

| REV. | DATE      | COMMENTS            | INITIAL |
|------|-----------|---------------------|---------|
| 1    | 2021/8/30 | ENGINEERING RELEASE |         |

**SPECIFICATIONS**

|                 |                        |
|-----------------|------------------------|
| Frequency Range | 6~67GHz                |
| VSWR            | 1.5:1 typ              |
| Gain            | 13dBi typ              |
| Polarization    | Linear                 |
| Connector       | 1.85mm-Female          |
| Material        | Aluminum               |
| Surface Finish  | Black Painted          |
| Dimensions      | 40.06 × 35.81 × 43.6mm |

RoHS Compliant



Drawing not to scale, units:mm



www.titan-microwave.com  
 Tel: +86 130 866 58398  
 Email: sales@titan-microwave.com  
 chris@titan-microwave.com

|  |           |             |
|--|-----------|-------------|
| PART NUMBER  |           | DESCRIPTION |
| TMBDHA-06006700-13V  |           |             |
| CAGE CODE  | SIGNATURE |             |
| EXCEPT AS OTHERWISE PROVIDED BY CONTRACTOR THIS DRAWING OR SPECIFICATION IS PROPERTY OF TITAN MICROWAVE INC. IT IS ISSUED IN STRICT CONFIDENCE AND SHALL NOT BE REPRODUCED OR USED AS THE BASIS. |           |             |