

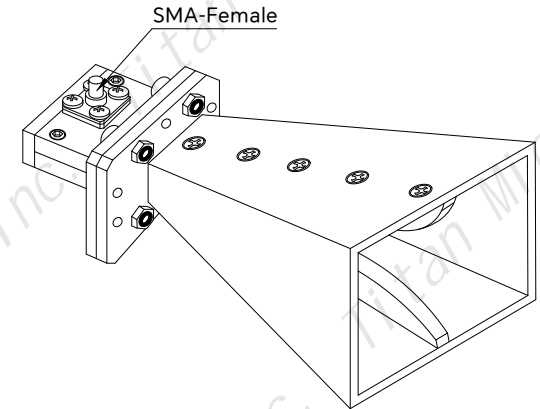
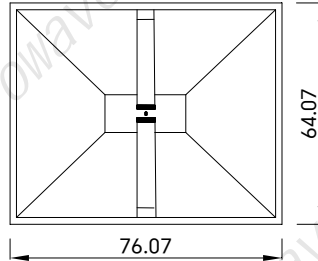
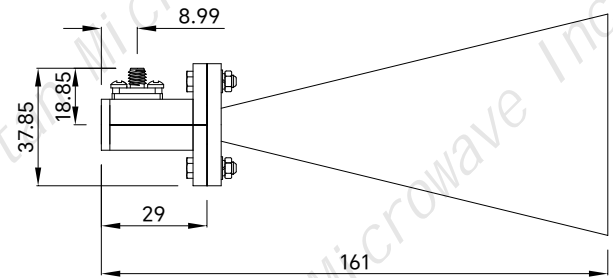
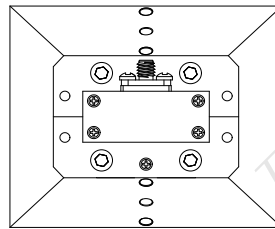
PART NUMBER
TMBDHA-06001800-15S

REV.	DATE	COMMENTS	INITIAL
1	2021/8/30	ENGINEERING RELEASE	

SPECIFICATIONS

Frequency Range 6~18GHz
 VSWR 1.5:1 typ
 Gain 15dBi typ
 Polarization Linear
 Connector SMA-Female
 Material Aluminum
 Surface Finish Black Painted
 Dimensions 76.07 × 64.07 × 161mm
 Weight 1.5 kg

RoHS Compliant



Drawing not to scale, units:mm



www.titan-microwave.com
 Tel: +86 130 866 58398
 Email: sales@titan-microwave.com
 chris@titan-microwave.com

PART NUMBER TMBDHA-06001800-15S		DESCRIPTION Broadband Horn Antenna, Linear, 6-18GHz 15dB, SMA-Female
CAGE CODE	SIGNATURE _____	
EXCEPT AS OTHERWISE PROVIDED BY CONTRACTOR THIS DRAWING OR SPECIFICATION IS PROPERTY OF TITAN MICROWAVE INC. IT IS ISSUED IN STRICT CONFIDENCE AND SHALL NOT BE REPRODUCED OR USED AS THE BASIS.		