

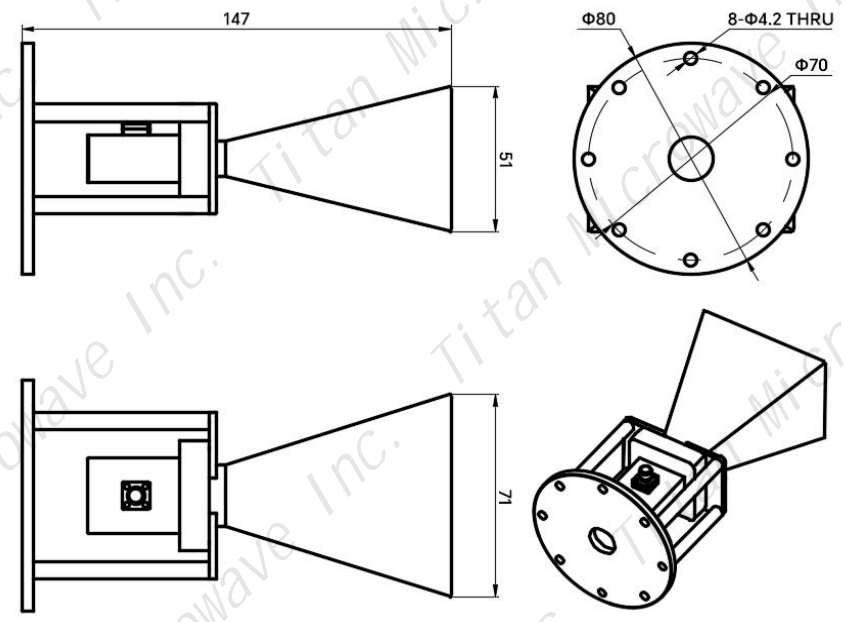
PART NUMBER
TMBDHA-12001500-15S

REV.	DATE	COMMENTS	INITIAL
1	2021/8/30	ENGINEERING RELEASE	

SPECIFICATIONS

Frequency Range	12~15GHz
VSWR	1.35:1 typ
Gain	15dBi min
Polarization	Linear
Power Rating	25W
Connector	SMA-Female
Surface Finish	Gray Painted
Dimensions	80 × 80 × 147mm
Operating Temperature	-25°C~+45°C
Storage Temperature	-45°C~+75°C
Weight	170g

RoHS Compliant



Drawing not to scale, units:mm



www.titan-microwave.com
 Tel: +86 130 866 58398
 Email: sales@titan-microwave.com
 chris@titan-microwave.com

PART NUMBER TMBDHA-12001500-15S		DESCRIPTION Broadband Horn Antenna, 12-15GHz, 15dB Linear, SMA-Female
CAGE CODE	SIGNATURE _____	
EXCEPT AS OTHERWISE PROVIDED BY CONTRACTOR THIS DRAWING OR SPECIFICATION IS PROPERTY OF TITAN MICROWAVE INC. IT IS ISSUED IN STRICT CONFIDENCE AND SHALL NOT BE REPRODUCED OR USED AS THE BASIS.		