

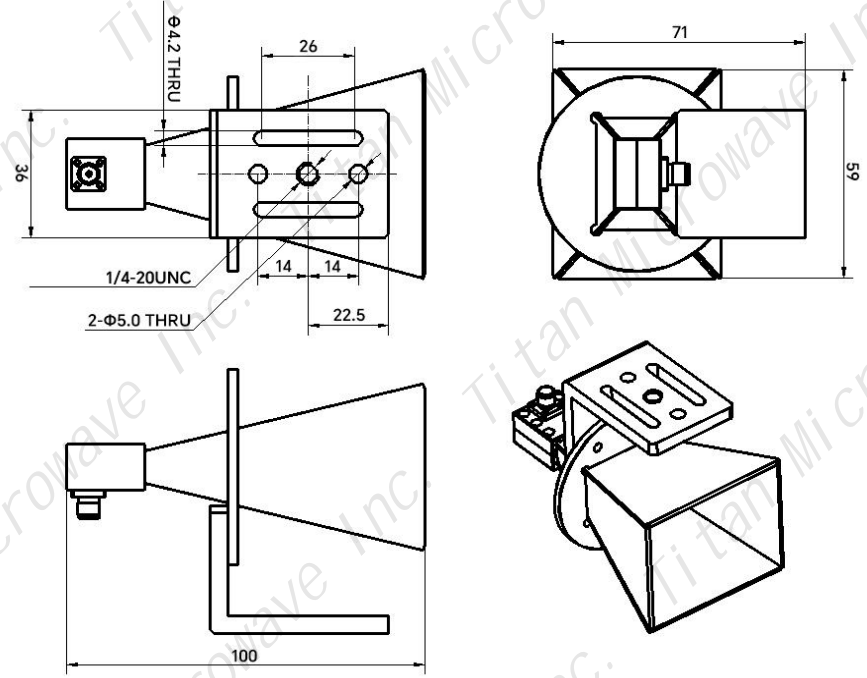
**PART NUMBER**  
**TMBDHA-15003000-18K**

REV.	DATE	COMMENTS	INITIAL
1	2021/8/30	ENGINEERING RELEASE	

**SPECIFICATIONS**

Frequency Range	15~30GHz
VSWR	1.5:1 typ
Gain	18dBi min
Polarization	Vertical
Power Rating	25W
Connector	2.92mm-Female
Surface Finish	Gray Painted
Dimensions	100 × 71 × 59mm
Operating Temperature	-25°C~+55°C
Storage Temperature	-40°C~+70°C
Weight	150g

RoHS Compliant



Drawing not to scale, units:mm



www.titan-microwave.com  
 Tel: +86 130 866 58398  
 Email: sales@titan-microwave.com  
 chris@titan-microwave.com

PART NUMBER <b>TMBDHA-15003000-18K</b>		DESCRIPTION <b>Broadband Horn Antenna, 15-30GHz, 18dB Vertical, 2.92mm-Female</b>
CAGE CODE	SIGNATURE	
EXCEPT AS OTHERWISE PROVIDED BY CONTRACTOR THIS DRAWING OR SPECIFICATION IS PROPERTY OF TITAN MICROWAVE INC. IT IS ISSUED IN STRICT CONFIDENCE AND SHALL NOT BE REPRODUCED OR USED AS THE BASIS.		