

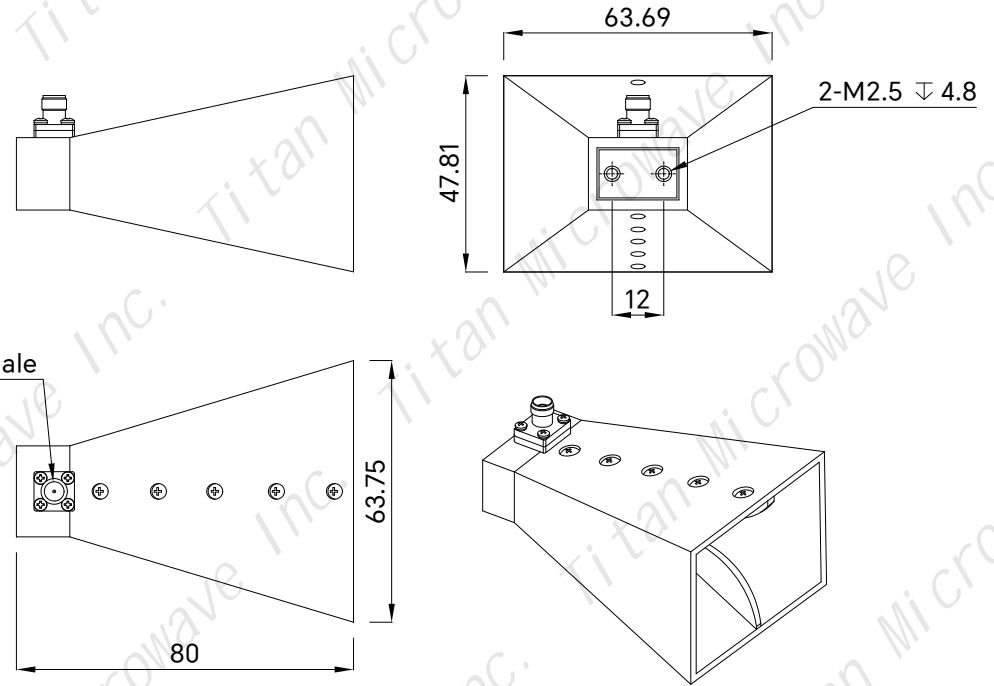
**PART NUMBER**  
**TMBDHA-18004000-15K**

REV.	DATE	COMMENTS	INITIAL
1	2021/8/30	ENGINEERING RELEASE	

**SPECIFICATIONS**

Frequency Range      18~40GHz  
 VSWR                    1.5 typ  
 Gain                     15dBi typ  
 Polarization          Linear  
 Connector             2.92mm-Female  
 Material                Aluminum  
 Surface Finish        Black Painted  
 Dimensions            80 × 63.69 × 47.81mm  
 Weight                 71g

RoHS Compliant



Drawing not to scale, units:mm



www.titan-microwave.com  
 Tel: +86 130 866 58398  
 Email: sales@titan-microwave.com  
 chris@titan-microwave.com

<b>PART NUMBER</b> <b>TMBDHA-18004000-15K</b>		<b>DESCRIPTION</b> <b>Broadband Horn Antenna, 18-40GHz, 15dB</b> <b>2.92mm-Female</b>
<b>CAGE CODE</b>	<b>SIGNATURE</b> _____	
EXCEPT AS OTHERWISE PROVIDED BY CONTRACTOR THIS DRAWING OR SPECIFICATION IS PROPERTY OF TITAN MICROWAVE INC. IT IS ISSUED IN STRICT CONFIDENCE AND SHALL NOT BE REPRODUCED OR USED AS THE BASIS.		