

| REV | DESCRIPTION OF REVISION | By | DATE | APPROVED |
|-----|-------------------------|--------|------------|----------|
| A | INITIAL RELEASE | C. Cai | 2023/10/21 | C. Chen |

TECHNICAL DATA

► Electrical Data

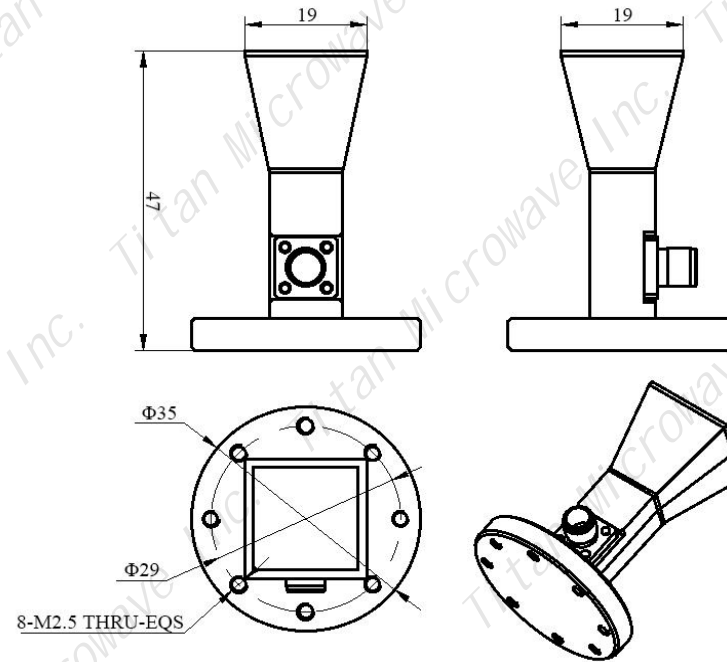
| | |
|-----------------|-----------|
| Frequency Range | 40~85GHz |
| Gain | 15dBi typ |
| VSWR | 2.0:1 typ |
| Polarization | Linear |

► Mechanical Data

| | |
|-------------------|---------------|
| Dimensions | 47×35×35mm |
| Connector | 1.85mm-Female |
| Surface Treatment | Grey Painted |
| Material | Copper H62 |
| Weight | 80g |

► Environmental Data

| | |
|-----------------------|-----------------------------|
| Operating Temperature | -25℃~+55℃(design assurance) |
| Storage Temperature | -45℃~+75℃(design assurance) |



| | | |
|--------------------------------------|--|--|
| DRAWN: L. Ma 21/10/23 | | |
| ENGINEER: J. Zhu 21/10/23 | | |
| APPROVED: C. Chen 21/10/23 | | |
| TOLERANCE UNLESS OTHERWISE SPECIFIED | | |

| | | |
|--------|-------|----------|
| x | ±0.50 | [0.019"] |
| .x | ±0.20 | [0.008"] |
| .xx | ±0.10 | [0.004"] |
| ANGLES | ±1° | |

TITLE:
Broadband Horn Antenna,
40-85GHz, Gain 15dBi
typ, Linear, 1.85mm-
Female

PART No.:
TMBDHA-40008500-15V



www.titan-microwave.com



DIMENSIONS IN MILLIMETERS(mm)

| | | | |
|--------------------|---------------|----------------------|------------------|
| SIZE: A4 | SCALE: | SHEET: 1/1 | REV: A |
|--------------------|---------------|----------------------|------------------|

Notes:

- ALL SPECIFICATIONS ARE SUBJECT TO CHANGE WITHOUT NOTICE AT ANY TIME
- CUSTOMER OUTLINE DRAWING FOR REFERENCE ONLY