

REV	DESCRIPTION OF REVISION	By	DATE	APPROVED
A	INITIAL RELEASE	C. Cai	2023/5/18	C. Chen

TECHNICAL DATA

► Electrical Data

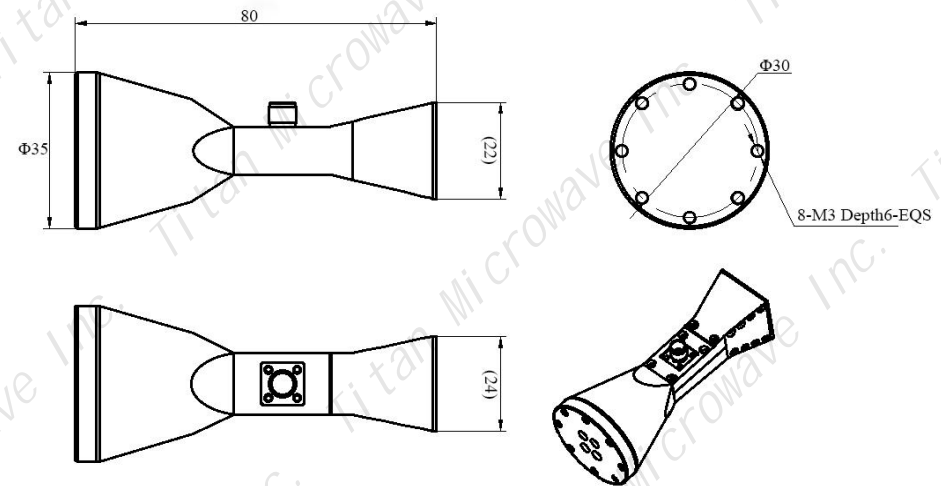
Frequency Range	40~110GHz
Gain	15dBi typ
VSWR	1.8:1 typ
Polarization	Linear
Power Handling(design assurance)	2W

► Mechanical Data

Dimensions	80×35×35mm
Connector	1.0mm-Female
Surface Treatment	Grey Painted
Weight	130g

► Environmental Data

Operating Temperature	-45℃~+75℃(design assurance)
Storage Temperature	-55℃~+85℃(design assurance)



Notes:

- ALL SPECIFICATIONS ARE SUBJECT TO CHANGE WITHOUT NOTICE AT ANY TIME
- CUSTOMER OUTLINE DRAWING FOR REFERENCE ONLY

DRAWN: L. Ma 18/05/23		
ENGINEER: J. Zhu 18/05/23		
APPROVED: C. Chen 18/05/23		
TOLERANCE UNLESS OTHERWISE SPECIFIED		
x	±0.50	[0.019"]
.x	±0.20	[0.008"]
.xx	±0.10	[0.004"]
ANGLES	±1°	

TITLE:
Broadband Horn Antenna,
40-110GHz, Gain 15dBi
typ, Linear, 2W, 1.0mm-
Female

PART No.:
TMBDHA-400011000-151



www.titan-microwave.com



DIMENSIONS IN MILLIMETERS(mm)

SIZE: A4	SCALE:	SHEET: 1/1	REV: A
--------------------	---------------	----------------------	------------------