

REV	DESCRIPTION OF REVISION	By	DATE	APPROVED
A	INITIAL RELEASE	C. Cai	2023/10/21	C. Chen

## TECHNICAL DATA

### ► Electrical Data

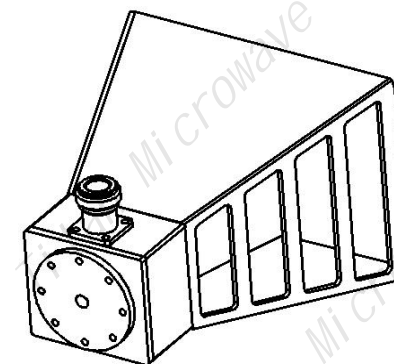
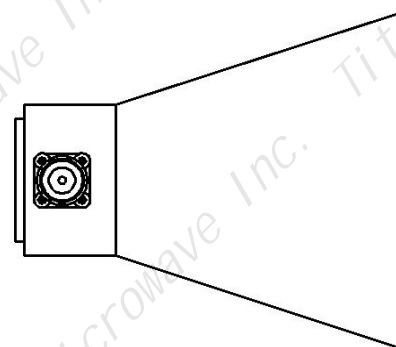
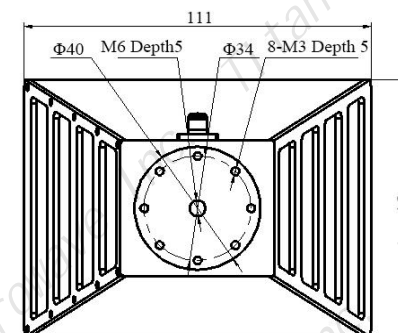
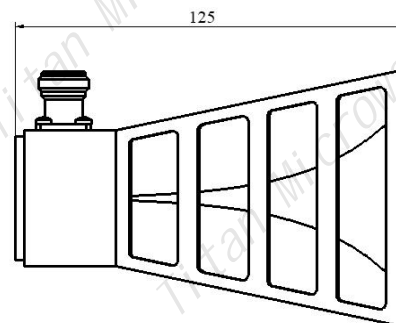
Frequency Range	2~18GHz
Gain	10dBi typ
VSWR	1.8:1 typ
Polarization	Linear
Power Handling(design assurance)	50W

### ► Mechanical Data

Dimensions	125×84×111mm
Connector	N-Female
Surface Treatment	Natural Color Conductive Oxidation
Weight	400g

### ► Environmental Data

Operating Temperature	-25℃~+55℃(design assurance)
Storage Temperature	-45℃~+75℃(design assurance)



#### Notes:

- ALL SPECIFICATIONS ARE SUBJECT TO CHANGE WITHOUT NOTICE AT ANY TIME
- CUSTOMER OUTLINE DRAWING FOR REFERENCE ONLY

DRAWN: L. Ma 21/10/23		
ENGINEER: J. Zhu 21/10/23		
APPROVED: C. Chen 21/10/23		
TOLERANCE UNLESS OTHERWISE SPECIFIED		

x	±0.50	[0.019"]
.x	±0.20	[0.008"]
.xx	±0.10	[0.004"]
ANGLES	±1°	

#### TITLE:

Double Ridged Horn  
Antenna, 2-18GHz, Gain  
10dBi typ, Linear, 50W,  
N-Female

#### PART No.:

TMDRHA-02001800-10N



[www.titan-microwave.com](http://www.titan-microwave.com)



DIMENSIONS IN MILLIMETERS(mm)

SIZE: A4	SCALE:	SHEET: 1/1	REV: A
-------------	--------	---------------	-----------