

REV	DESCRIPTION OF REVISION	By	DATE	APPROVED
A	INITIAL RELEASE	C. Cai	2023/10/21	C. Chen

TECHNICAL DATA

► Electrical Data

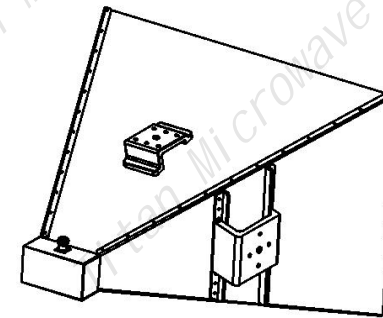
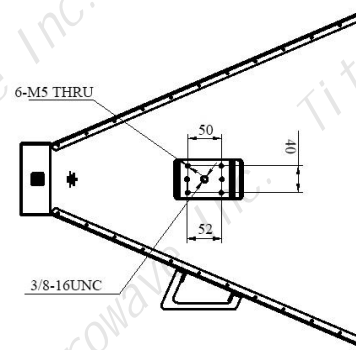
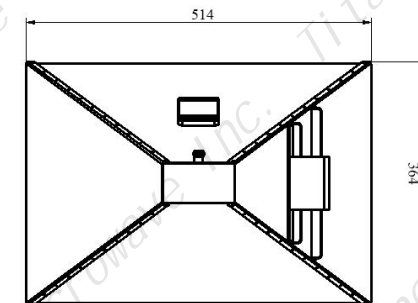
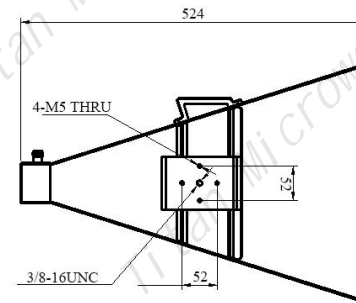
Frequency Range	1~8GHz
Gain	15dBi typ
VSWR	2.0:1 typ
Polarization	Linear
Power Handling(design assurance)	200W

► Mechanical Data

Dimensions	524×514×364mm
Connector	N-Female
Surface Treatment	Green Color
Weight	8.5kg

► Environmental Data

Operating Temperature	-25℃~+45℃(design assurance)
Storage Temperature	-45℃~+75℃(design assurance)



DRAWN: L. Ma 21/10/23		
ENGINEER: J. Zhu 21/10/23		
APPROVED: C. Chen 21/10/23		
TOLERANCE UNLESS OTHERWISE SPECIFIED		
x	±0.50	[0.019"]
.x	±0.20	[0.008"]
.xx	±0.10	[0.004"]
ANGLES	±1°	

TITLE:
Broadband Horn Antenna,
1-8GHz, Gain 15dBi typ,
Linear, 200W, N-Female

PART No.:
TMBDHA-01000800-15N



www.titan-microwave.com



DIMENSIONS IN MILLIMETERS(mm)

SIZE: A4	SCALE:	SHEET: 1/1	REV: A
-------------	--------	---------------	-----------

Notes:

- ALL SPECIFICATIONS ARE SUBJECT TO CHANGE WITHOUT NOTICE AT ANY TIME
- CUSTOMER OUTLINE DRAWING FOR REFERENCE ONLY