

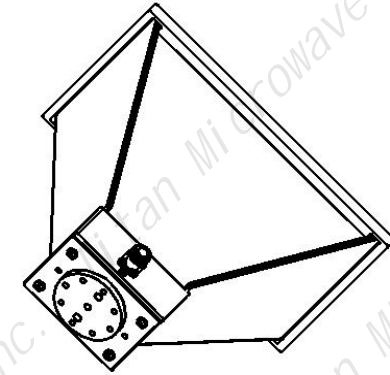
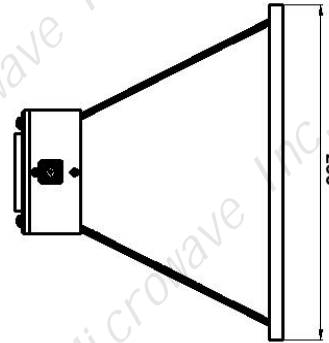
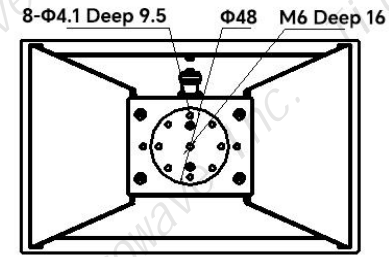
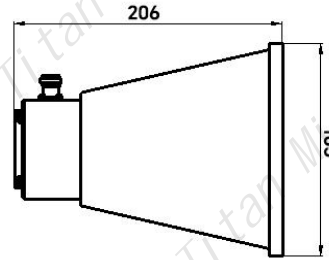
**PART NUMBER**  
**TMBDHA-01002000-9N**

REV.	DATE	COMMENTS	INITIAL
1	2021/8/30	ENGINEERING RELEASE	

**SPECIFICATIONS**

Frequency Range	1~20GHz
VSWR	2.5:1 typ
Gain	9dBi typ
Polarization	Linear
Power Rating	50W
Connector	N-Female
Material	Aluminum
Surface Finish	Gray Painted
Dimensions	206 × 165 × 260mm
Operating Temperature	-25°C~+55°C
Storage Temperature	-45°C~+75°C
Weight	1.7kg

RoHS Compliant



Drawing not to scale, units:mm



www.titan-microwave.com  
Tel: +86 130 866 58398  
Email: sales@titan-microwave.com  
chris@titan-microwave.com

<b>PART NUMBER</b> <b>TMBDHA-01002000-9N</b>		<b>DESCRIPTION</b> <b>Broadband Horn Antenna, 1-20GHz, Gain 9dBi N-Female</b>
<b>CAGE CODE</b>	<b>SIGNATURE</b> _____	
EXCEPT AS OTHERWISE PROVIDED BY CONTRACTOR THIS DRAWING OR SPECIFICATION IS PROPERTY OF TITAN MICROWAVE INC. IT IS ISSUED IN STRICT CONFIDENCE AND SHALL NOT BE REPRODUCED OR USED AS THE BASIS.		