

REV	DESCRIPTION OF REVISION	By	DATE	APPROVED
A	INITIAL RELEASE	C. Cai	2023/10/21	C. Chen

TECHNICAL DATA

► Electrical Data

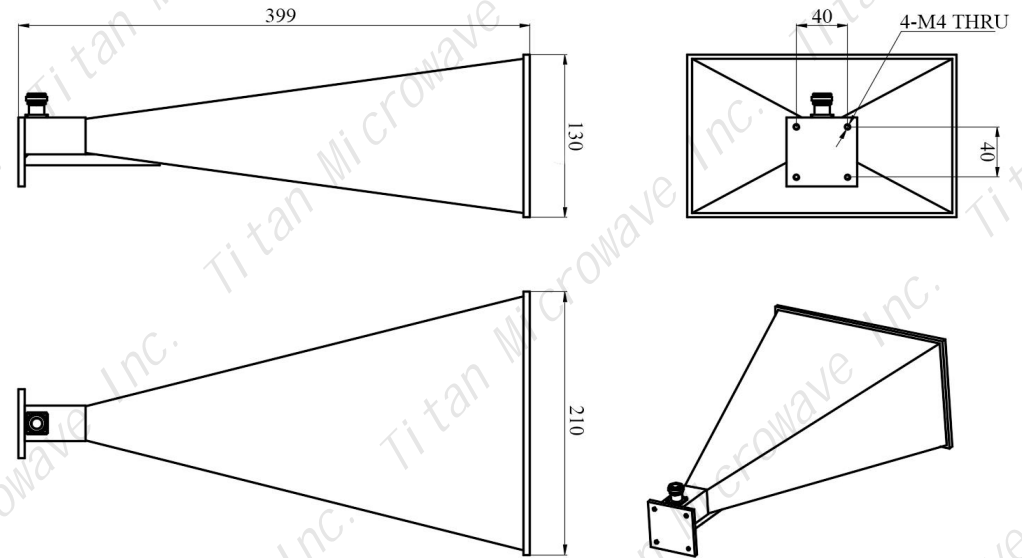
Frequency Range	6~18GHz
Gain	20dBi typ
VSWR	2.0:1 typ
Polarization	Linear
Power Handling(design assurance)	100W

► Mechanical Data

Dimensions	210×130×399mm
Connector	N-Female
Surface Treatment	Grey Painted
Weight	1kg

► Environmental Data

Operating Temperature	-25℃~+45℃(design assurance)
Storage Temperature	-45℃~+75℃(design assurance)



Notes:

1. ALL SPECIFICATIONS ARE SUBJECT TO CHANGE WITHOUT NOTICE AT ANY TIME
2. CUSTOMER OUTLINE DRAWING FOR REFERENCE ONLY

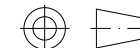
DRAWN: L. Ma 21/10/23		
ENGINEER: J. Zhu 21/10/23		
APPROVED: C. Chen 21/10/23		
TOLERANCE UNLESS OTHERWISE SPECIFIED		
x	±0.50	[0.019"]
.x	±0.20	[0.008"]
.xx	±0.10	[0.004"]
ANGLES	±1°	

TITLE:
Broadband Horn Antenna,
6-18GHz, Gain 20dBi typ,
Linear, 100W, N-Female

PART No.:
TMBDHA-06001800-20N



www.titan-microwave.com



DIMENSIONS IN MILLIMETERS(mm)

SIZE: A4	SCALE:	SHEET: 1/1	REV: A
--------------------	---------------	----------------------	------------------