

REV	DESCRIPTION OF REVISION	By	DATE	APPROVED
A	INITIAL RELEASE	C. Cai	2023/5/9	C. Chen

TECHNICAL DATA

► Electrical Data

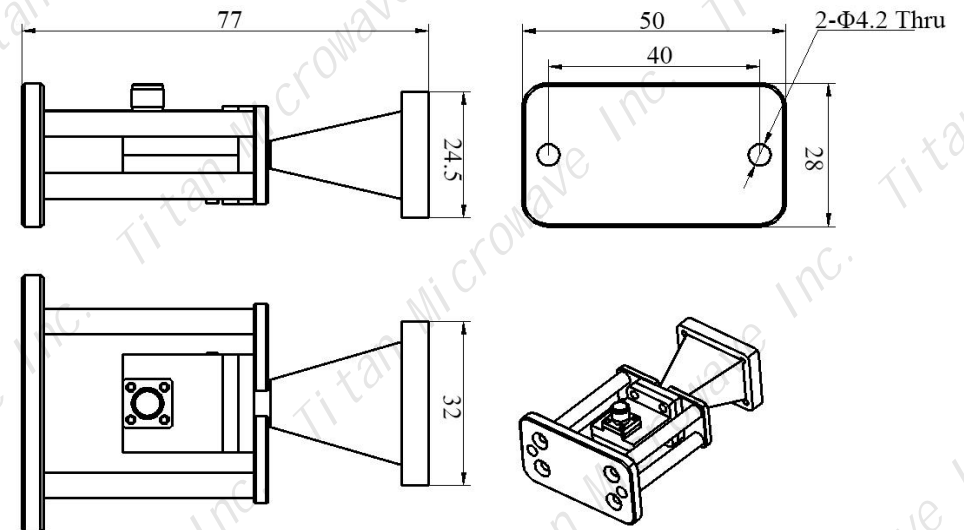
Frequency Range	32~40GHz
Gain	16dBi typ
VSWR	1.5:1 typ
Polarization	Linear
Power Handling(design assurance)	50W

► Mechanical Data

Dimensions	50.5×28.5×77.5mm
Connector	2.92mm-Female
Waveguide	WR-28
Surface Treatment	Grey Painted
Weight	50g

► Environmental Data

Operating Temperature	-25℃~+45℃(design assurance)
Storage Temperature	-45℃~+75℃(design assurance)



Notes:

- ALL SPECIFICATIONS ARE SUBJECT TO CHANGE WITHOUT NOTICE AT ANY TIME
- CUSTOMER OUTLINE DRAWING FOR REFERENCE ONLY

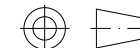
DRAWN: L. Ma 09/05/23		
ENGINEER: J. Zhu 09/05/23		
APPROVED: C. Chen 09/05/23		
TOLERANCE UNLESS OTHERWISE SPECIFIED		
x	±0.50	[0.019"]
.x	±0.20	[0.008"]
.xx	±0.10	[0.004"]
ANGLES	±1°	

TITLE:
Broadband Horn Antenna,
32-40GHz, Gain 16dBi
typ, Linear, 50W,
2.92mm-Female

PART No.:
TMBDHA-32004000-16K



www.titan-microwave.com



DIMENSIONS IN MILLIMETERS(mm)

SIZE: A4	SCALE:	SHEET: 1/1	REV: A
--------------------	---------------	----------------------	------------------