

REV	DESCRIPTION OF REVISION	By	DATE	APPROVED
A	INITIAL RELEASE	C. Cai	2023/5/9	C. Chen

TECHNICAL DATA

► Electrical Data

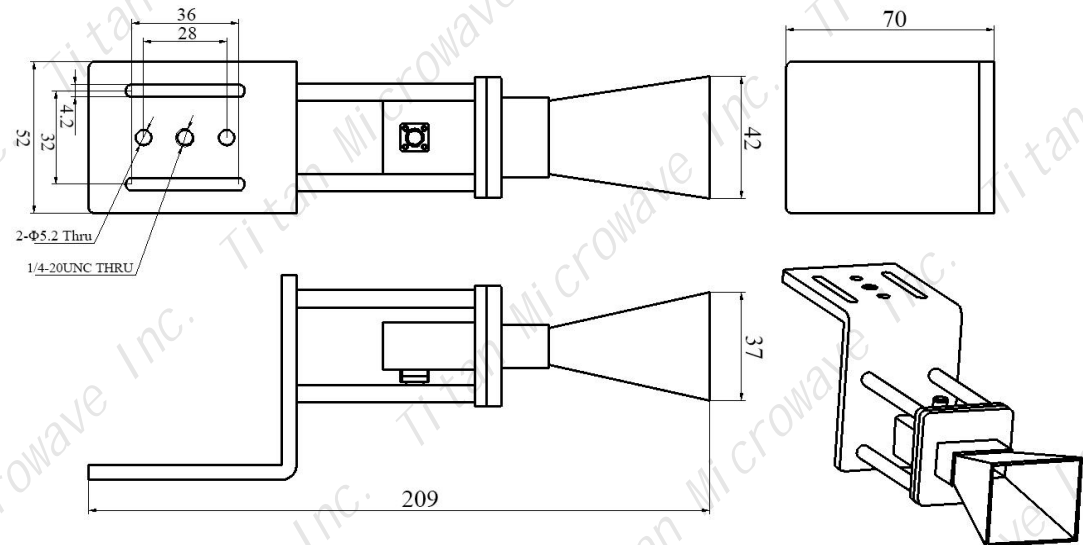
Frequency Range	8~12GHz
Gain	10dBi typ
VSWR	1.5:1 typ
Polarization	Vertical
3dB Beam Width	35°~60°
Power Handling(design assurance)	50W

► Mechanical Data

Dimensions	209×52×70mm
Connector	SMA-Female
Surface Treatment	Grey Painted
Weight	300g

► Environmental Data

Operating Temperature	-25°C~+45°C (design assurance)
Storage Temperature	-45°C~+75°C (design assurance)



Notes:

1. ALL SPECIFICATIONS ARE SUBJECT TO CHANGE WITHOUT NOTICE AT ANY TIME
2. CUSTOMER OUTLINE DRAWING FOR REFERENCE ONLY

DRAWN: L. Ma 09/05/23		
ENGINEER: J. Zhu 09/05/23		
APPROVED: C. Chen 09/05/23		
TOLERANCE UNLESS OTHERWISE SPECIFIED		

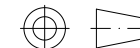
x	±0.50	[0.019"]
.x	±0.20	[0.008"]
.xx	±0.10	[0.004"]
ANGLES	±1°	

TITLE:
Broadband Horn Antenna,
8-12GHz, Gain 10dBi typ,
Vertical, 50W, SMA-
Female

PART No.:
TMBDHA-08001200-10S



www.titan-microwave.com



DIMENSIONS IN MILLIMETERS(mm)

SIZE: A4	SCALE:	SHEET: 1/1	REV: A
--------------------	---------------	----------------------	------------------