

REV	DESCRIPTION OF REVISION	By	DATE	APPROVED
A	INITIAL RELEASE	C. Cai	2023/10/21	C. Chen

TECHNICAL DATA

► Electrical Data

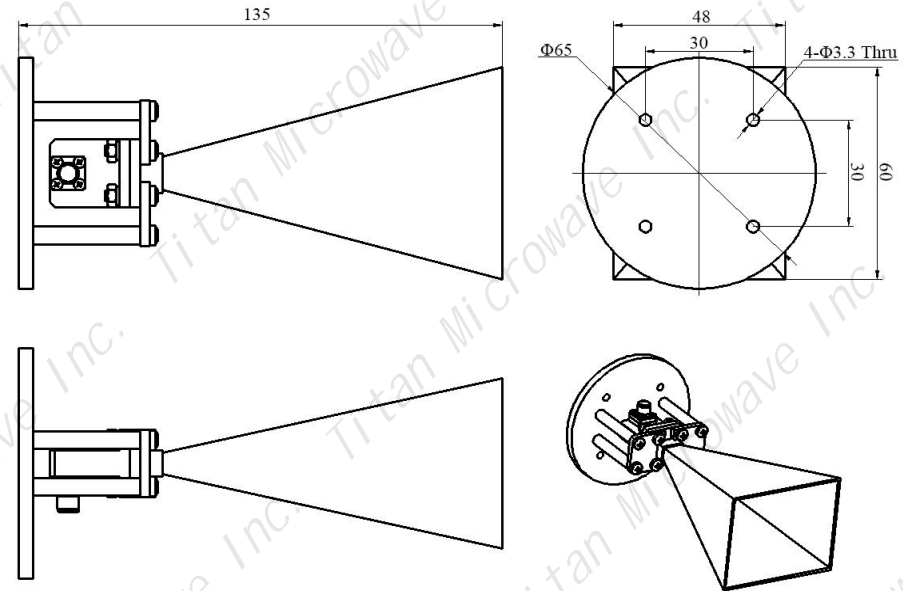
Frequency Range	34~36GHz
Gain	15dBi typ
VSWR	1.35:1 typ
Polarization	Linear

► Mechanical Data

Dimensions	65×65×135mm
Connector	2.92mm-Female
Surface Treatment	Grey Painted
Weight	300g

► Environmental Data

Operating Temperature	-25℃~+55℃(design assurance)
Storage Temperature	-45℃~+75℃(design assurance)



Notes:

- ALL SPECIFICATIONS ARE SUBJECT TO CHANGE WITHOUT NOTICE AT ANY TIME
- CUSTOMER OUTLINE DRAWING FOR REFERENCE ONLY

DRAWN: L. Ma 21/10/23
ENGINEER: J. Zhu 21/10/23
APPROVED: C. Chen 21/10/23
TOLERANCE UNLESS OTHERWISE SPECIFIED

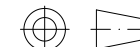
x	±0.50	[0.019"]
.x	±0.20	[0.008"]
.xx	±0.10	[0.004"]
ANGLES	±1°	

TITLE:
Broadband Horn Antenna,
34-36GHz, Gain 15dBi
typ, Linear, 2.92mm-
Female

PART No.:
TMBDHA-34003600-15K

 成都巨人微波
TITAN MICROWAVE INC.
- A Professional RF & Microwave Components Supplier -

www.titan-microwave.com



DIMENSIONS IN MILLIMETERS(mm)

SIZE: A4	SCALE:	SHEET: 1/1	REV: A
-------------	--------	---------------	-----------