

REV	DESCRIPTION OF REVISION	By	DATE	APPROVED
A	INITIAL RELEASE	C. Cai	2023/5/9	C. Chen

## TECHNICAL DATA

### ► Electrical Data

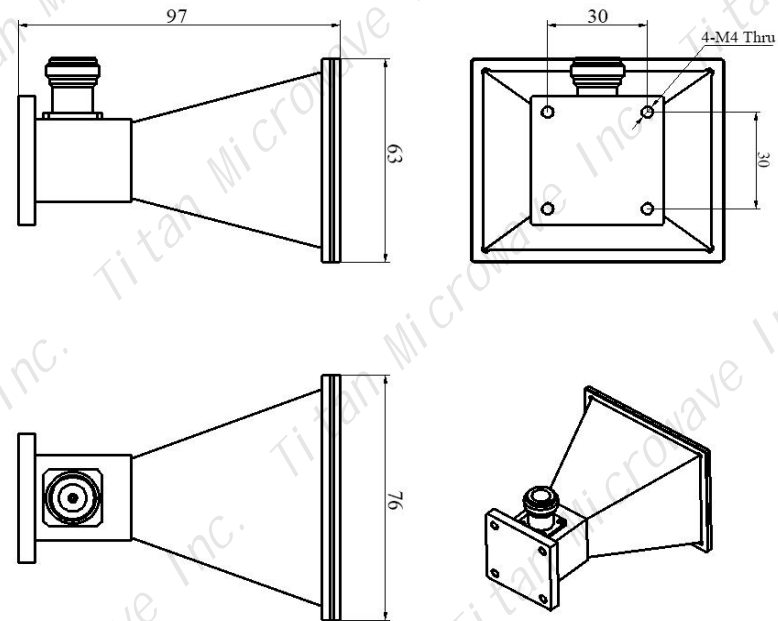
Frequency Range	6~18GHz
Gain	10dBi min
VSWR	2.0:1 max
Polarization	Linear
Power Handling(design assurance)	50W

### ► Mechanical Data

Dimensions	76×63×97mm
Connector	N-Female
Surface Treatment	Grey Painted
Weight	300g

### ► Environmental Data

Operating Temperature	45°C~+75°C(design assurance)
-----------------------	------------------------------



DRAWN: L. Ma 09/05/23		
ENGINEER: J. Zhu 09/05/23		
APPROVED: C. Chen 09/05/23		
TOLERANCE UNLESS OTHERWISE SPECIFIED		

x	±0.50	[0.019"]
.x	±0.20	[0.008"]
.xx	±0.10	[0.004"]
ANGLES	±1°	

### TITLE:

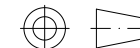
Broadband Horn Antenna,  
6-18GHz, Gain 10dBi,  
Linear, 50W, N-Female

### PART No.:

TMBDHA-06001800-10N



[www.titan-microwave.com](http://www.titan-microwave.com)



DIMENSIONS IN MILLIMETERS(mm)

SIZE: A4	SCALE:	SHEET: 1/1	REV: A
-------------	--------	---------------	-----------

### Notes:

- ALL SPECIFICATIONS ARE SUBJECT TO CHANGE WITHOUT NOTICE AT ANY TIME
- CUSTOMER OUTLINE DRAWING FOR REFERENCE ONLY