

REV	DESCRIPTION OF REVISION	By	DATE	APPROVED
A	INITIAL RELEASE	C. Cai	2022/6/15	C. Chen

## TECHNICAL DATA

### ► Electrical Data

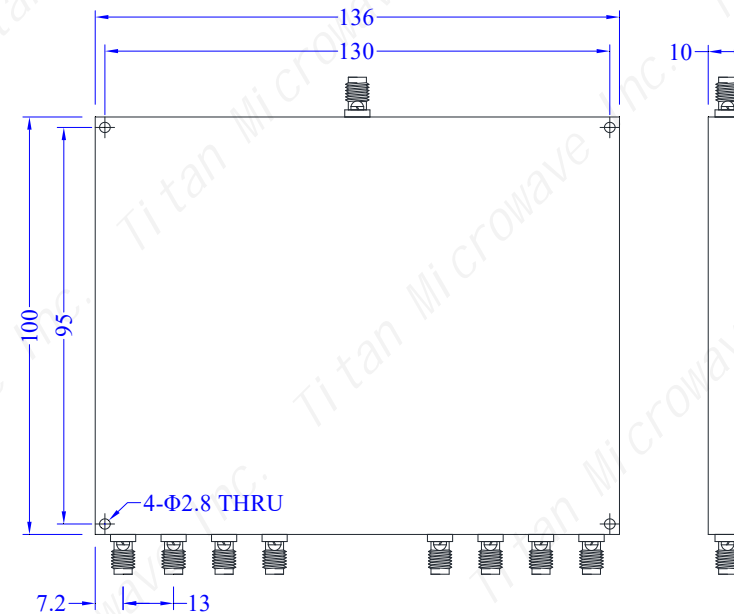
Frequency Range	1~12.4GHz
Insertion Loss (excluding theoretical insertion loss 9dB)	3.5dB max
Isolation	15dB min
Input VSWR	1.8 max
Output VSWR	1.5 max
Amplitude Balance	±0.8dB max
Phase Balance	±10°
Forward Power	20W
Reverse Power	1W
Impedance	50 Ohms

### ► Mechanical Data

Dimensions	136×100×10mm
Input Connector	SMA-Female
Output Connectors	SMA-Female
Surface Finish	Grey/Black/Blue Painted

### ► Environmental Data

Operating Temperature	-40℃~+80℃
Storage Temperature	-45℃~+85℃



#### Notes:

- ALL SPECIFICATIONS ARE SUBJECT TO CHANGE WITHOUT NOTICE AT ANY TIME
- CUSTOMER OUTLINE DRAWING FOR REFERENCE ONLY

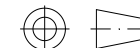
DRAWN: L. Ma 15/06/22		
ENGINEER: J. Zhu 15/06/22		
APPROVED: C. Chen 15/06/22		
TOLERANCE UNLESS OTHERWISE SPECIFIED		
x	±0.50	[0.019"]
.x	±0.20	[0.008"]
.xx	±0.10	[0.004"]
ANGLES	±1°	

**TITLE:**  
Power Divider, 8-Way, 1-  
12.4GHz, 20W, SMA-  
Female

**PART No.:**  
TMPD8-01001240-20S



[www.titan-microwave.com](http://www.titan-microwave.com)



DIMENSIONS IN MILLIMETERS(mm)

<b>SIZE:</b> A4	<b>SCALE:</b>	<b>SHEET:</b> 1/1	<b>REV:</b> A
--------------------	---------------	----------------------	------------------