

| REV | DESCRIPTION OF REVISION | By | DATE | APPROVED |
|-----|-------------------------|--------|-----------|----------|
| A | INITIAL RELEASE | C. Dai | 2022/7/11 | C. Chen |

TECHNICAL DATA

► Electrical Data

| | |
|-----------------------|--------------|
| Frequency Range | 0.01-4GHz |
| Low Level Sensitivity | ≥0.5mV/μW |
| VSWR | ≤1.2 |
| Maximum Input Power | 100mW(20dBm) |
| Maximum Flatness | ±0.3dB |
| Impedance | 50 Ohms |

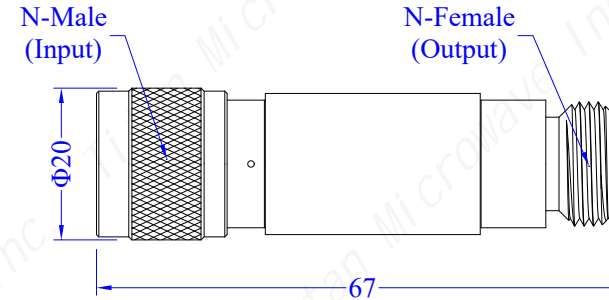
► Mechanical Data

| | |
|-------------------------|------------------------------|
| Input Connector | N-Male |
| Output Connector | N-Female |
| Body | Nickel Plated Brass |
| Outer Conductor | Nickel Plated Brass |
| Inner Conductor(male) | Gold Plated Brass |
| Inner Conductor(female) | Gold plated beryllium copper |

► Environmental Data

| | |
|-----------------------|-----------|
| Operating Temperature | -20℃~+55℃ |
| Storage Temperature | -45℃~+85℃ |

★ Negative output polarity standard. Add "P" to end of model number for positive output polarity.



Notes:

- ALL SPECIFICATIONS ARE SUBJECT TO CHANGE WITHOUT NOTICE AT ANY TIME
- CUSTOMER OUTLINE DRAWING FOR REFERENCE ONLY

| | | |
|--------------------------------------|-------|----------|
| DRAWN: L. Ma 11/07/22 | | |
| ENGINEER: J. Zhu 11/07/22 | | |
| APPROVED: C. Chen 11/07/22 | | |
| TOLERANCE UNLESS OTHERWISE SPECIFIED | | |
| x | ±0.50 | [0.019"] |
| .x | ±0.20 | [0.008"] |
| .xx | ±0.10 | [0.004"] |
| ANGLES | ±1° | |

TITLE:
Coaxial Detector, 0.01-4GHz, N-Male to N-Female, VSWR 1.2 max, Negative Polarity

PART No.:
TMDT-014-N



www.titan-microwave.com



DIMENSIONS IN MILLIMETERS(mm)

| | | | |
|--------------------|---------------|----------------------|------------------|
| SIZE: A4 | SCALE: | SHEET: 1/1 | REV: A |
|--------------------|---------------|----------------------|------------------|