

| REV | DESCRIPTION OF REVISION | By     | DATE      | APPROVED |
|-----|-------------------------|--------|-----------|----------|
| A   | INITIAL RELEASE         | C. Dai | 2022/7/11 | C. Chen  |

## TECHNICAL DATA

### ► Electrical Data

|                       |              |
|-----------------------|--------------|
| Frequency Range       | 0.01-8GHz    |
| Low Level Sensitivity | ≥0.5mV/μW    |
| VSWR                  | ≤1.4         |
| Maximum Input Power   | 100mW(20dBm) |
| Maximum Flatness      | ±0.3dB       |
| Impedance             | 50 Ohms      |

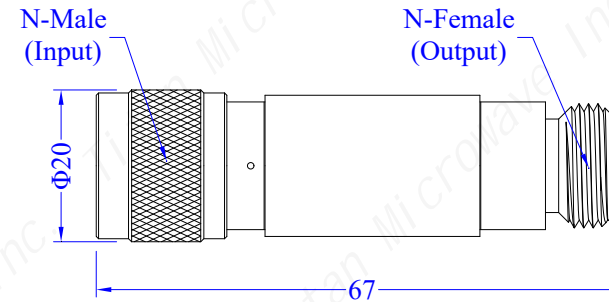
### ► Mechanical Data

|                         |                              |
|-------------------------|------------------------------|
| Input Connector         | N-Male                       |
| Output Connector        | N-Female                     |
| Body                    | Nickel Plated Brass          |
| Outer Conductor         | Nickel Plated Brass          |
| Inner Conductor(male)   | Gold Plated Brass            |
| Inner Conductor(female) | Gold plated beryllium copper |

### ► Environmental Data

|                       |           |
|-----------------------|-----------|
| Operating Temperature | -20℃~+55℃ |
| Storage Temperature   | -45℃~+85℃ |

★ Negative output polarity standard. Add "P" to end of model number for positive output polarity.



#### Notes:

- ALL SPECIFICATIONS ARE SUBJECT TO CHANGE WITHOUT NOTICE AT ANY TIME
- CUSTOMER OUTLINE DRAWING FOR REFERENCE ONLY

|                                      |       |          |
|--------------------------------------|-------|----------|
| DRAWN: L. Ma 11/07/22                |       |          |
| ENGINEER: J. Zhu 11/07/22            |       |          |
| APPROVED: C. Chen 11/07/22           |       |          |
| TOLERANCE UNLESS OTHERWISE SPECIFIED |       |          |
| x                                    | ±0.50 | [0.019"] |
| .x                                   | ±0.20 | [0.008"] |
| .xx                                  | ±0.10 | [0.004"] |
| ANGLES                               | ±1°   |          |

**TITLE:**  
Coaxial Detector, 0.01-8GHz, N-Male to N-Female, VSWR 1.4 max, Negative Polarity

**PART No.:**  
TMDT-018-N



[www.titan-microwave.com](http://www.titan-microwave.com)



DIMENSIONS IN MILLIMETERS(mm)

|                    |               |                      |                  |
|--------------------|---------------|----------------------|------------------|
| <b>SIZE:</b><br>A4 | <b>SCALE:</b> | <b>SHEET:</b><br>1/1 | <b>REV:</b><br>A |
|--------------------|---------------|----------------------|------------------|