

REV	DESCRIPTION OF REVISION	By	DATE	APPROVED
A	INITIAL RELEASE	C. Cai	2022/11/20	C. Chen

TECHNICAL DATA

► Electrical Data

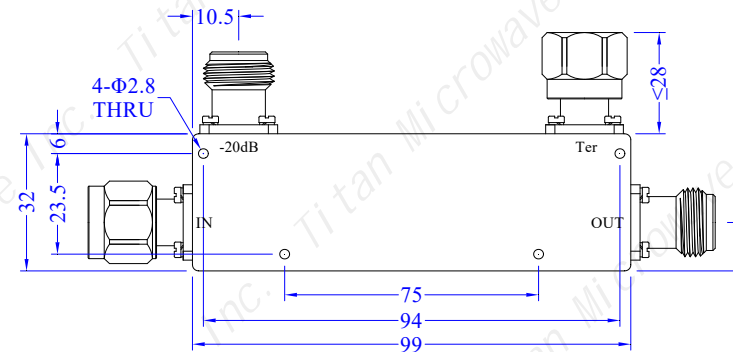
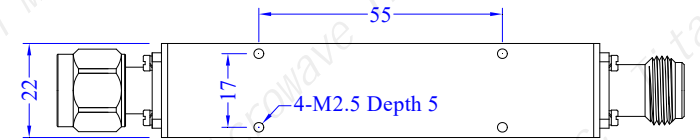
Frequency Range	800~5000MHz
Insertion Loss	0.3dB max@0.8-3GHz 0.5dB max@3-5GHz
Coupling	20±1.5dB
Directivity	18dB min
VSWR Primary	1.3 max
VSWR Secondary	1.3 max
Power Rating	600W@0.8-3GHz(desogn assurance) 500W@3-5GHz(design assurance)
Impedance	50 ohms

► Mechanical Data

Dimensions	99×32×22mm
Input Connector	N-Male
Output Connector	N-Female
Coupling Connector	N-Female
Material	Aluminum 6061
Surface Finishing	Natural Color Conductive Oxidation

► Environmental Data

Operating Temperature	-40℃~+70℃(design assurance)
-----------------------	-----------------------------



Notes:

- ALL SPECIFICATIONS ARE SUBJECT TO CHANGE WITHOUT NOTICE AT ANY TIME
- CUSTOMER OUTLINE DRAWING FOR REFERENCE ONLY

DRAWN: L. Ma 20/11/22		
ENGINEER: J. Zhu 20/11/22		
APPROVED: C. Chen 20/11/22		
TOLERANCE UNLESS OTHERWISE SPECIFIED		
x	±0.50	[0.019"]
.x	±0.20	[0.008"]
.xx	±0.10	[0.004"]
ANGLES	±1°	

TITLE:
Directional Coupler, 0.8-5GHz, Coupling
20±1.5dB, N-Female,
500W

PART No.:
TMDC-00800500-20N500



www.titan-microwave.com



DIMENSIONS IN MILLIMETERS(mm)

SIZE: A4	SCALE:	SHEET: 1/1	REV: A
--------------------	---------------	----------------------	------------------