

REV	DESCRIPTION OF REVISION	By	DATE	APPROVED
A	INITIAL RELEASE	C. Cai	2023/2/22	C. Chen

TECHNICAL DATA

► Electrical Data(50Ω, 25°C)

Frequency Range	1.5~30MHz
Output Power(CW, Psat)	≥43dBm
Gain	≥43dB
Gain Flatness	≤1±1dB
Input VSWR	≤1.6:1
Input Power	0±2dBm
Maximum Input Power	+6dBm
Harmonic	≤-10dBc
Spurious	≤-65dBc
Temperature Protection	Over 80°C protection With open circuit protection
PTT Port	Default OFF, 3.3-5V ON
Operating Voltage	+28V~+32V
Operating Current	≤3~4A
VCC/Current Reference	28V/6A

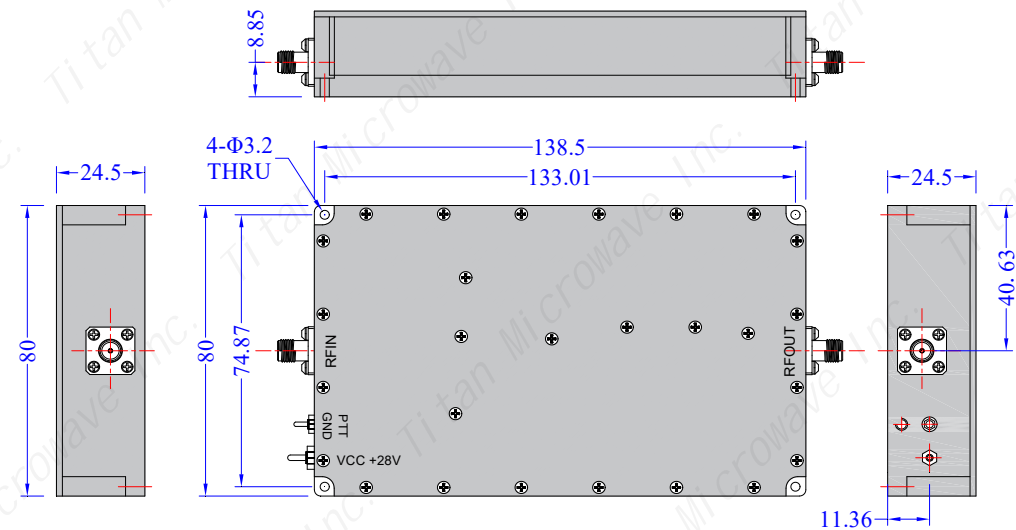
► Mechanical Data

Dimensions	138.5×80×24.5mm
Input Connector	SMA-Female
Output Connector	SMA-Female
28V Power Supply Connector	Feedthru Capacitor
Weight	420g max
Package	1 piece/box

► Environmental Data

Operating Temperature	-30°C~+55°C
-----------------------	-------------

! Stress above these ratings may cause permanent damage to the device
Radiator/Heatsink required during operation or test



Notes:

- ALL SPECIFICATIONS ARE SUBJECT TO CHANGE WITHOUT NOTICE AT ANY TIME
- CUSTOMER OUTLINE DRAWING FOR REFERENCE ONLY

DRAWN: L. Ma 22/02/23		
ENGINEER: J. Zhu 22/02/23		
APPROVED: C. Chen 22/02/23		
TOLERANCE UNLESS OTHERWISE SPECIFIED		
x	±0.50	[0.019"]
.x	±0.20	[0.008"]
.xx	±0.10	[0.004"]
ANGLES	±1°	

TITLE:

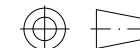
Power Amplifier, 1.5-30MHz, Gain 43dB, Output Power 43dBm, +28V, SMA-Female

PART No.:

TMPA-1.5M30M-4343



www.titan-microwave.com



DIMENSIONS IN MILLIMETERS(mm)

SIZE: A4	SCALE:	SHEET: 1/1	REV: A
-------------	--------	---------------	-----------