

REV	DESCRIPTION OF REVISION	By	DATE	APPROVED
A	INITIAL RELEASE	C. Cai	2022/5/17	C. Chen

TECHNICAL DATA

Electrical Data

Frequency Range	20~1000MHz
Max Output Power(Psat)	≥43dBm(20W)
Gain	≥43dB
Gain Flatness	≤2±1dB
VSWR Input	≤1.6
Input Power	0±2dBm
Max Input Power	+6dBm
Spurious	≤-65dBc
Harmonic	≤-11dBc
Impedance	50 Ohms
PTT Port	Default OFF, 3.3~5V ON
Temperature Protection	Over 80℃ protection with open circuit protection
Operation Voltage	+28V~+32V
Operation Current	≤3~5A
VCC/Current Reference	28V/7A

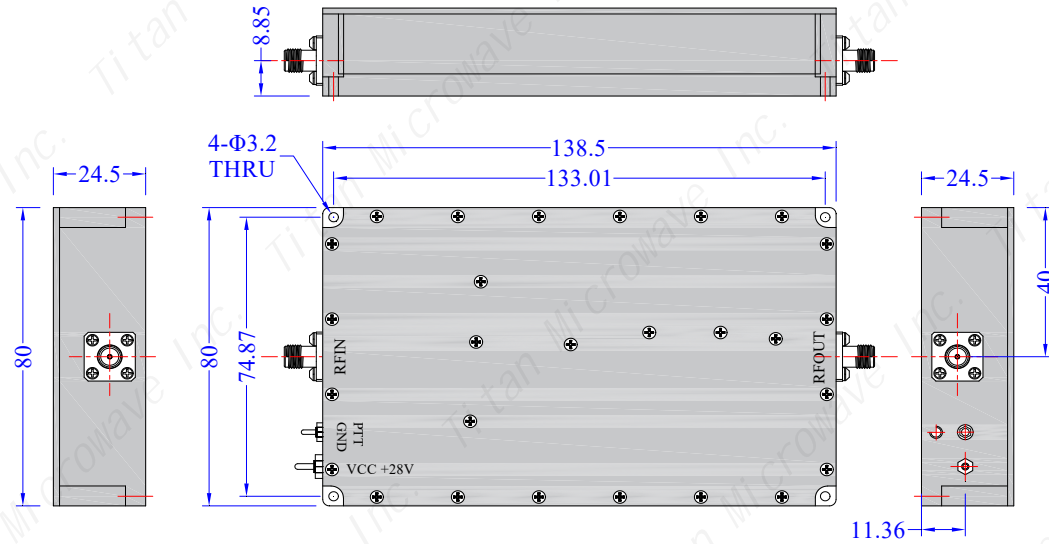
Mechanical Data

Dimensions	138.5×80×24.5mm
Input/Output Connector	SMA-Female
28V Power Supply Interface	Feedthru Capacitor

Environmental Data

Operating Temperature	-30℃~+55℃
-----------------------	-----------

! Stress above these ratings may cause permanent damage to the device
Radiator/Heatsink required during operation or test



Notes:

- ALL SPECIFICATIONS ARE SUBJECT TO CHANGE WITHOUT NOTICE AT ANY TIME
- CUSTOMER OUTLINE DRAWING FOR REFERENCE ONLY

DRAWN: L. Ma 17/05/22		
ENGINEER: J. Zhu 17/05/22		
APPROVED: C. Chen 17/05/22		
TOLERANCE UNLESS OTHERWISE SPECIFIED		
x	±0.50	[0.019"]
.x	±0.20	[0.008"]
.xx	±0.10	[0.004"]
ANGLES	±1°	

TITLE: Power Amplifier, 20- 1000MHz, Gain 43dB, Output Power 43dBm, +28V, SMA-Female
PART No.: TMPA-00020100-4343



www.titan-microwave.com



DIMENSIONS IN MILLIMETERS(mm)

SIZE: A4	SCALE:	SHEET: 1/1	REV: A
-------------	--------	---------------	-----------