

| REV | DESCRIPTION OF REVISION | By     | DATE      | APPROVED |
|-----|-------------------------|--------|-----------|----------|
| A   | INITIAL RELEASE         | C. Cai | 2022/4/11 | C. Chen  |

## TECHNICAL DATA

### Electrical Data

|                            |   |
|----------------------------|---|
| Frequency Range            | 5.725-5.85GHz                           |
| Max Output Power(Psat, CW) | ≥50±0.5dBm                              |
| Gain                       | ≥50dB                                   |
| VCO                        | Triangular wave 100K Scanning frequency |
| Spurious                   | ≤-65dBc                                 |
| Harmonic@worst point       | ≤-30dBc                                 |
| Impedance                  | 50 Ohms                                 |
| PTT Port                   | Default OFF, 3.3~5V ON                  |
| Temperature Protection     | Over 80℃ protection                     |
| Operation Voltage          | +28V~+30V                               |
| Operation Current          | ≤9-10A                                  |
| VCC/Current Reference      | 28V/12A                                 |

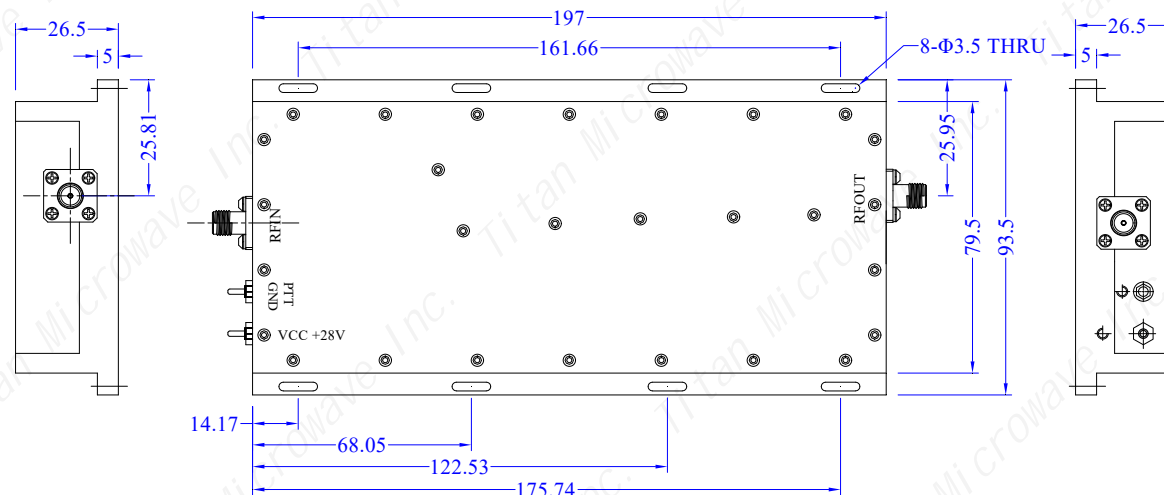
### Mechanical Data

|                            |                    |
|----------------------------|--------------------|
| Dimensions                 | 197×93.5×26.5mm    |
| Input Connector            | SMA-Female         |
| Output Connector           | SMA-Female         |
| 28V Power Supply Interface | Feedthru Capacitor |
| Package                    | 1 piece/box        |
| Weight                     | ≤650g              |

### Environmental Data

|                       |           |
|-----------------------|-----------|
| Operating Temperature | -30℃~+55℃ |
|-----------------------|-----------|

! Stress above these ratings may cause permanent damage to the device  
Radiator/Heatsink required during operation or test



#### Notes:

- ALL SPECIFICATIONS ARE SUBJECT TO CHANGE WITHOUT NOTICE AT ANY TIME
- CUSTOMER OUTLINE DRAWING FOR REFERENCE ONLY

|                                      |       |          |
|--------------------------------------|-------|----------|
| DRAWN: L. Ma 11/04/22                |       |          |
| ENGINEER: J. Zhu 11/04/22            |       |          |
| APPROVED: C. Chen 11/04/22           |       |          |
| TOLERANCE UNLESS OTHERWISE SPECIFIED |       |          |
| x                                    | ±0.50 | [0.019"] |
| .x                                   | ±0.20 | [0.008"] |
| .xx                                  | ±0.10 | [0.004"] |
| ANGLES                               | ±1°   |          |

**TITLE:**  
Power Amplifier,  
5.725~5.85GHz, Gain 50dB,  
Output Power 50±0.5dBm,  
+28V, SMA-Female

**PART No.:**  
TMPA-05720585-5050



[www.titan-microwave.com](http://www.titan-microwave.com)



DIMENSIONS IN MILLIMETERS(mm)

|                    |               |                      |                  |
|--------------------|---------------|----------------------|------------------|
| <b>SIZE:</b><br>A4 | <b>SCALE:</b> | <b>SHEET:</b><br>1/1 | <b>REV:</b><br>A |
|--------------------|---------------|----------------------|------------------|