

REV	DESCRIPTION OF REVISION	By	DATE	APPROVED
A	INITIAL RELEASE	C. Cai	2022/7/12	C. Chen

TECHNICAL DATA

► Electrical Data

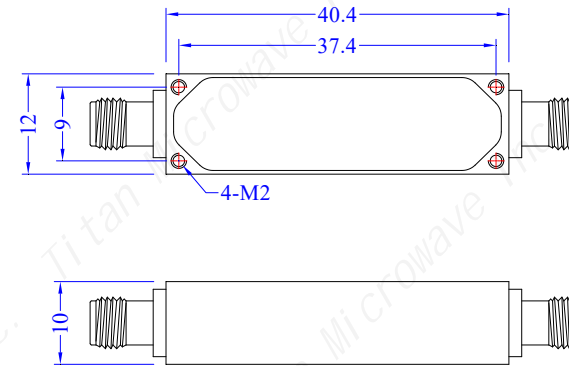
Passband Frequency Range	100~1100MHz
Passband Insertion Loss	≤4dB
Passband VSWR	≤1.6
Stopband Rejection	≥35dB@1150Mhz ≥40dB@1200~2300MHz
Power Handling	1W(design assurance)
Impedance	50 Ohms

► Mechanical Data

Dimensions	40.4×12×10mm
Connectors	SMA-Female
Surface Finish	Silver Plated

► Environmental Data

Operating Temperature	-40℃~+70℃(design assurance)
Storage Temperature	-55℃~+85℃(design assurance)



Notes:

- ALL SPECIFICATIONS ARE SUBJECT TO CHANGE WITHOUT NOTICE AT ANY TIME
- CUSTOMER OUTLINE DRAWING FOR REFERENCE ONLY

DRAWN: L. Ma 12/07/22		
ENGINEER: J. Zhu 12/07/22		
APPROVED: C. Chen 12/07/22		
TOLERANCE UNLESS OTHERWISE SPECIFIED		
x	±0.50	[0.019"]
.x	±0.20	[0.008"]
.xx	±0.10	[0.004"]
ANGLES	±1°	

TITLE:
Band Pass Filter, 100-
1100MHz, 40dB, 1W,
SMA-Female

PART No.:
TBF-00100110-40S



www.titan-microwave.com



DIMENSIONS IN MILLIMETERS(mm)

SIZE: A4	SCALE:	SHEET: 1/1	REV: A
--------------------	---------------	----------------------	------------------