

REV	DESCRIPTION OF REVISION	By	DATE	APPROVED
A	INITIAL RELEASE	C. Cai	2022/7/12	C. Chen

## TECHNICAL DATA

### ► Electrical Data

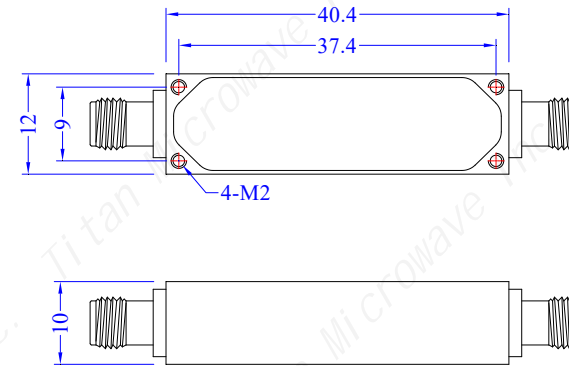
Passband Frequency Range	1170~1230MHz
Passband Insertion Loss	≤4.5dB
Passband VSWR	≤1.5
Passband Ripple	≤1dB
Stopband Rejection	≥40dB@DC~1100Mhz ≥40dB@1290~6000MHz
Power Handling	1W(design assurance)
Impedance	50 Ohms

### ► Mechanical Data

Dimensions	40.4×12×10mm
Connectors	SMA-Female
Connectors Material	Stainless Steel
Surface Finish	Silver Plated

### ► Environmental Data

Operating Temperature	-40℃~+70℃(design assurance)
Storage Temperature	-55℃~+85℃(design assurance)



#### Notes:

- ALL SPECIFICATIONS ARE SUBJECT TO CHANGE WITHOUT NOTICE AT ANY TIME
- CUSTOMER OUTLINE DRAWING FOR REFERENCE ONLY

DRAWN: L. Ma 12/07/22		
ENGINEER: J. Zhu 12/07/22		
APPROVED: C. Chen 12/07/22		
TOLERANCE UNLESS OTHERWISE SPECIFIED		
x	±0.50	[0.019"]
.x	±0.20	[0.008"]
.xx	±0.10	[0.004"]
ANGLES	±1°	

**TITLE:**  
Band Pass Filter, 1170-1230MHz, 40dB, 1W, SMA-Female

**PART No.:**  
TBF-01170123-40S



[www.titan-microwave.com](http://www.titan-microwave.com)



DIMENSIONS IN MILLIMETERS(mm)

<b>SIZE:</b> A4	<b>SCALE:</b>	<b>SHEET:</b> 1/1	<b>REV:</b> A
--------------------	---------------	----------------------	------------------