

REV	DESCRIPTION OF REVISION	By	DATE	APPROVED
A	INITIAL RELEASE	C. Cai	2023/7/11	C. Chen

## TECHNICAL DATA

### ► Electrical Data

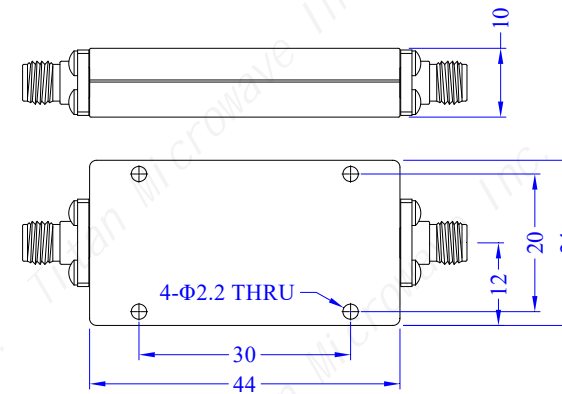
Cut Off Frequency	3.0GHz
Pass Band Frequency	DC-3.0GHz
Pass Band Insertion Loss	≤1.0dB@DC-2.9GHz; ≤1.5dB@2.9-3.0GHz
Pass Band VSWR	≤1.3:1
Stop Band Rejection	≥60dB@3.52-10GHz
Impedance	50 Ohms
Power Handling	≤15W

### ► Mechanical Data

Dimensions	44×24×10mm
Connectors	SMA-Female(stainless steel)
Material	6061 Aluminum Alloy

### ► Environmental Data

Temperature Range	-55℃~+85℃
-------------------	-----------



DRAWN: L. Ma 11/07/23		
ENGINEER: J. Zhu 11/07/23		
APPROVED: C. Chen 11/07/23		
TOLERANCE UNLESS OTHERWISE SPECIFIED		
x	±0.50	[0.019"]
.x	±0.20	[0.008"]
.xx	±0.10	[0.004"]
ANGLES	±1°	

**TITLE:**  
Low Pass Filter, DC-3GHz,  
Stop Band Rejection  
60dB, 15W, SMA-Female

**PART No.:**  
TLF-3000-60S

**成都巨人微波**  
**TITAN MICROWAVE INC.**  
- A Professional RF & Microwave Components Supplier -

[www.titan-microwave.com](http://www.titan-microwave.com)



DIMENSIONS IN MILLIMETERS(mm)

<b>SIZE:</b> A4	<b>SCALE:</b>	<b>SHEET:</b> 1/1	<b>REV:</b> A
--------------------	---------------	----------------------	------------------

#### Notes:

- ALL SPECIFICATIONS ARE SUBJECT TO CHANGE WITHOUT NOTICE AT ANY TIME
- CUSTOMER OUTLINE DRAWING FOR REFERENCE ONLY