

REV	DESCRIPTION OF REVISION	By	DATE	APPROVED
A	INITIAL RELEASE	C. Cai	2022/7/12	C. Chen

TECHNICAL DATA

► Electrical Data

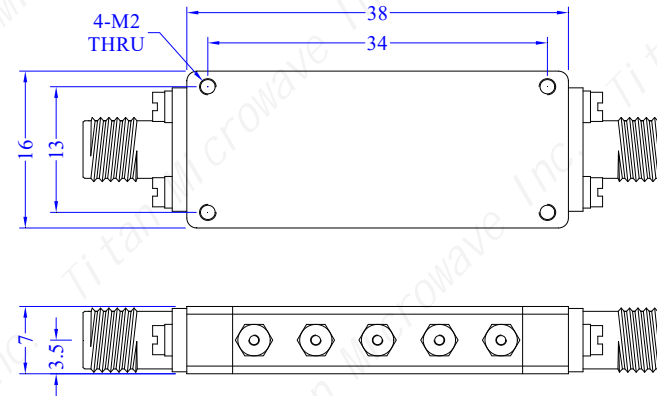
Passband Frequency Range	10~11GHz
Passband Insertion Loss	≤1.5dB
Passband VSWR	≤1.5
Passband Ripple	≤0.8dB
Stopband Rejection	≥60dB@9500MHz ≥60dB@11500~20000MHz
Power Handling	10W(design assurance)
Impedance	50 Ohms

► Mechanical Data

Dimensions	38×16×7mm
Connectors	SMA-Female(detachable 0.38mm pin)
Surface Finish	Silver Plated

► Environmental Data

Operating Temperature	-40℃~+70℃(design assurance)
Storage Temperature	-55℃~+85℃(design assurance)



Notes:

- ALL SPECIFICATIONS ARE SUBJECT TO CHANGE WITHOUT NOTICE AT ANY TIME
- CUSTOMER OUTLINE DRAWING FOR REFERENCE ONLY

DRAWN: L. Ma 12/07/22		
ENGINEER: J. Zhu 12/07/22		
APPROVED: C. Chen 12/07/22		
TOLERANCE UNLESS OTHERWISE SPECIFIED		
x	±0.50	[0.019"]
.x	±0.20	[0.008"]
.xx	±0.10	[0.004"]
ANGLES	±1°	

TITLE:

Band Pass Filter, 10-11GHz, 60dB, 10W, SMA-Female

PART No.:

TBF-10001100-60S



www.titan-microwave.com



DIMENSIONS IN MILLIMETERS(mm)

SIZE: A4	SCALE:	SHEET: 1/1	REV: A
-------------	--------	---------------	-----------