

REV	DESCRIPTION OF REVISION	By	DATE	APPROVED
A	INITIAL RELEASE	C. Cai	2023/9/12	C. Chen

## TECHNICAL DATA

### ► Electrical Data

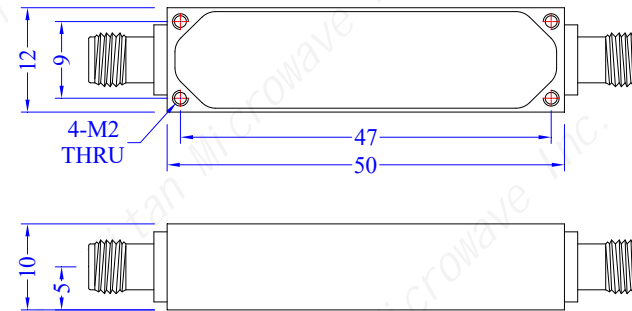
Pass Band Frequency	DC-5000MHz
Pass Band Insertion Loss	≤2.0dB
Pass Band VSWR	≤1.8:1
Stop Band Rejection	≥45dB@6500~12750MHz
Impedance	50 Ohms
Power Handling	≤5W(design assurance)

### ► Mechanical Data

Dimensions	50×12×10mm
Connectors	SMA-Female(stainless steel)
Material	6061 Aluminum Alloy
Surface Finish	Silver Plated

### ► Environmental Data

Temperature Range	-40℃~+85℃(design assurance)
-------------------	-----------------------------



#### Notes:

- ALL SPECIFICATIONS ARE SUBJECT TO CHANGE WITHOUT NOTICE AT ANY TIME
- CUSTOMER OUTLINE DRAWING FOR REFERENCE ONLY

DRAWN: L. Ma 12/09/23		
ENGINEER: J. Zhu 12/09/23		
APPROVED: C. Chen 12/09/23		
TOLERANCE UNLESS OTHERWISE SPECIFIED		
x	±0.50	[0.019"]
.x	±0.20	[0.008"]
.xx	±0.10	[0.004"]
ANGLES	±1°	

#### TITLE:

Low Pass Filter, DC-5000MHz, Stop Band Rejection 45dB, 5W, SMA-Female

#### PART No.:

TLF-5000-40S



[www.titan-microwave.com](http://www.titan-microwave.com)



DIMENSIONS IN MILLIMETERS(mm)

SIZE: A4	SCALE:	SHEET: 1/1	REV: A
-------------	--------	---------------	-----------