

REV	DESCRIPTION OF REVISION	By	DATE	APPROVED
A	INITIAL RELEASE	C. Cai	2023/9/12	C. Chen

## TECHNICAL DATA

### ► Electrical Data

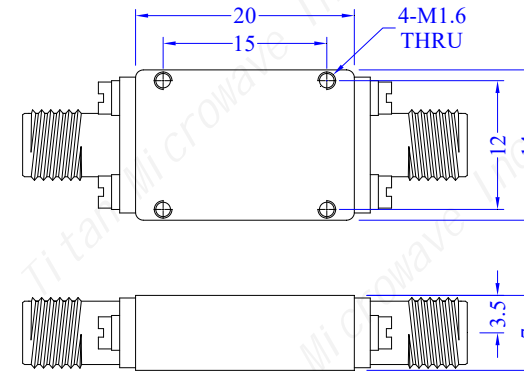
Pass Band Frequency	DC-2GHz
Pass Band Insertion Loss	≤1.5dB
Pass Band VSWR	≤1.5:1
Stop Band Rejection	≥50dB@2350~5000MHz
Impedance	50 Ohms
Power Handling	2W

### ► Mechanical Data

Dimensions	20×14×7mm
Connectors	SMA-Female(detachable 0.5mm pin)
Surface Finish	Silver Painted

### ► Environmental Data

Operating Temperature Range	-40℃~+70℃(design assurance)
Storage Temperature Range	-55℃~+85℃(design assurance)



DRAWN: L. Ma 12/09/23		
ENGINEER: J. Zhu 12/09/23		
APPROVED: C. Chen 12/09/23		
TOLERANCE UNLESS OTHERWISE SPECIFIED		
x	±0.50	[0.019"]
.x	±0.20	[0.008"]
.xx	±0.10	[0.004"]
ANGLES	±1°	

**TITLE:**  
Low Pass Filter, DC-2GHz,  
Stop Band Rejection  
50dB, 2W, SMA-Female

**PART No.:**  
TLF-2000-50S

 成都巨人微波  
**TITAN MICROWAVE INC.**  
- A Professional RF & Microwave Components Supplier -

[www.titan-microwave.com](http://www.titan-microwave.com)



DIMENSIONS IN MILLIMETERS(mm)

SIZE: A4	SCALE:	SHEET: 1/1	REV: A
-------------	--------	---------------	-----------

#### Notes:

- ALL SPECIFICATIONS ARE SUBJECT TO CHANGE WITHOUT NOTICE AT ANY TIME
- CUSTOMER OUTLINE DRAWING FOR REFERENCE ONLY