

| REV | DESCRIPTION OF REVISION | By     | DATE      | APPROVED |
|-----|-------------------------|--------|-----------|----------|
| A   | INITIAL RELEASE         | C. Cai | 2023/9/12 | C. Chen  |

## TECHNICAL DATA

### ► Electrical Data

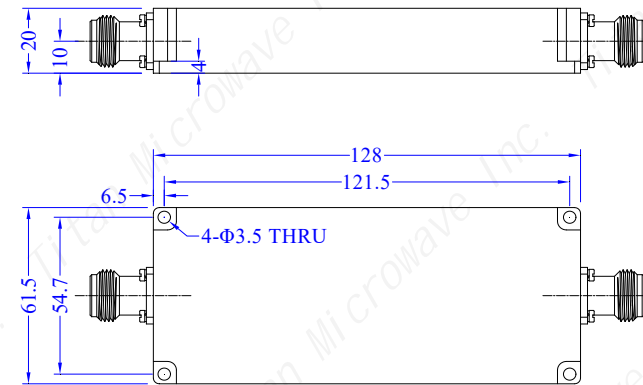
|                          |                                          |
|--------------------------|------------------------------------------|
| Pass Band Frequency      | DC-2700MHz                               |
| Pass Band Insertion Loss | ≤1.0dB                                   |
| Pass Band VSWR           | ≤1.3:1                                   |
| Stop Band Rejection      | ≥80dB@3000~3800MHz<br>≥40dB@3800~4500MHz |
| Impedance                | 50 Ohms                                  |
| Power Handling           | 200W(design assurance)                   |

### ► Mechanical Data

|                |                                    |
|----------------|------------------------------------|
| Dimensions     | 128×61.5×20mm                      |
| Connectors     | N-Female                           |
| Surface Finish | Natural Color Conductive Oxidation |
| Body           | Aluminum 6061                      |


### ► Environmental Data

|                   |           |
|-------------------|-----------|
| Temperature Range | -40℃~+70℃ |
|-------------------|-----------|



|                                      |       |          |
|--------------------------------------|-------|----------|
| DRAWN: L. Ma 12/09/23                |       |          |
| ENGINEER: J. Zhu 12/09/23            |       |          |
| APPROVED: C. Chen 12/09/23           |       |          |
| TOLERANCE UNLESS OTHERWISE SPECIFIED |       |          |
| x                                    | ±0.50 | [0.019"] |
| .x                                   | ±0.20 | [0.008"] |
| .xx                                  | ±0.10 | [0.004"] |
| ANGLES                               | ±1°   |          |

|           |                                                                      |
|-----------|----------------------------------------------------------------------|
| TITLE:    | Low Pass Filter, DC-2.7GHz, Stop Band Rejection 40dB, 200W, N-Female |
| PART No.: | TLF-2700-40N                                                         |


**成都巨人微波**  
**TITAN MICROWAVE INC.**  
- A Professional RF & Microwave Components Supplier -

www.titan-microwave.com


 DIMENSIONS IN MILLIMETERS(mm)

|       |        |        |      |
|-------|--------|--------|------|
| SIZE: | SCALE: | SHEET: | REV: |
| A4    |        | 1/1    | A    |

#### Notes:

- ALL SPECIFICATIONS ARE SUBJECT TO CHANGE WITHOUT NOTICE AT ANY TIME
- CUSTOMER OUTLINE DRAWING FOR REFERENCE ONLY