

REV	DESCRIPTION OF REVISION	By	DATE	APPROVED
A	INITIAL RELEASE	C. Cai	2023/9/12	C. Chen

## TECHNICAL DATA

### ► Electrical Data

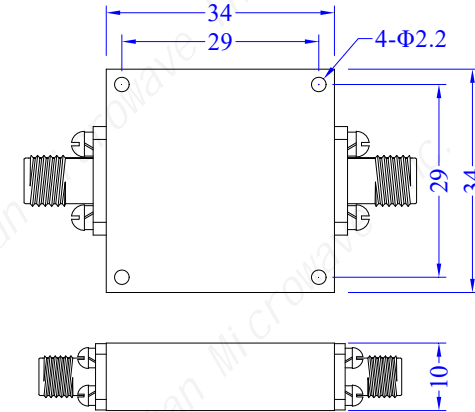
Pass Band Frequency	DC-2GHz
Pass Band Insertion Loss	≤0.5dB
Pass Band VSWR	≤1.5:1
Stop Band Rejection	≥40dB@2500~3500MHz, ≥30dB@4000MHz
Impedance	50 Ohms
Power Handling	20W(design assurance)

### ► Mechanical Data

Dimensions	34×34×10mm
Connectors	SMA-Female(stainless steel)
Surface Finish	Natural Color Conductive Oxidation
Body	Aluminum 6061

### ► Environmental Data

Operating Temperature Range	-40℃~+70℃(design assurance)
Storage Temperature Range	-55℃~+85℃(design assurance)



DRAWN: L. Ma 12/09/23		
ENGINEER: J. Zhu 12/09/23		
APPROVED: C. Chen 12/09/23		
TOLERANCE UNLESS OTHERWISE SPECIFIED		
x	±0.50	[0.019"]
.x	±0.20	[0.008"]
.xx	±0.10	[0.004"]
ANGLES	±1°	

**TITLE:**  
Low Pass Filter, DC-2GHz,  
Stop Band Rejection  
40dB, 20W, SMA-Female



[www.titan-microwave.com](http://www.titan-microwave.com)



DIMENSIONS IN MILLIMETERS(mm)

**PART No.:**  
TLF-2000-40S

**SIZE:**  
A4

**SCALE:**

**SHEET:**  
1/1

**REV:**  
A

**Notes:**

- ALL SPECIFICATIONS ARE SUBJECT TO CHANGE WITHOUT NOTICE AT ANY TIME
- CUSTOMER OUTLINE DRAWING FOR REFERENCE ONLY