

REV	DESCRIPTION OF REVISION	By	DATE	APPROVED
A	INITIAL RELEASE	C. Cai	2023/9/12	C. Chen

TECHNICAL DATA

► Electrical Data

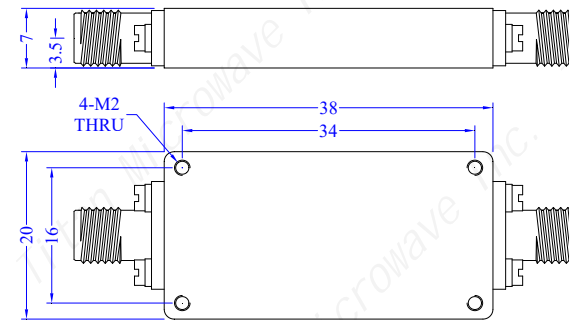
Pass Band Frequency	DC-5450MHz
Pass Band Insertion Loss	≤2.5dB
Pass Band VSWR	≤1.5:1
Pass Band Ripple	≤1.2dB@any 500MHz, ≤0.7dB@any 200MHz
Stop Band Rejection	≥60dB@6050~6200MHz ≥65dB@6200~10000MHz ≥20dB@10000~12000MHz
Impedance	50 Ohms
Power Handling	50W(design assurance)

► Mechanical Data

Dimensions	38×20×7mm
Connectors	SMA-Female(detachable 0.38mm pin)
Material	6061 Aluminum Alloy
Surface Finish	Silver Plated

► Environmental Data

Temperature Range	-40℃~+70℃(design assurance)
-------------------	-----------------------------



DRAWN: L. Ma 12/09/23		
ENGINEER: J. Zhu 12/09/23		
APPROVED: C. Chen 12/09/23		
TOLERANCE UNLESS OTHERWISE SPECIFIED		
x	±0.50	[0.019"]
.x	±0.20	[0.008"]
.xx	±0.10	[0.004"]
ANGLES	±1°	

TITLE:
Low Pass Filter, DC-5450MHz, Stop Band Rejection 65dB, 50W, SMA-Female

PART No.:
TLF-5450-65S

成都巨人微波
TITAN MICROWAVE INC.
- A Professional RF & Microwave Components Supplier -

www.titan-microwave.com



DIMENSIONS IN MILLIMETERS(mm)

SIZE: A4	SCALE:	SHEET: 1/1	REV: A
--------------------	---------------	----------------------	------------------

Notes:

- ALL SPECIFICATIONS ARE SUBJECT TO CHANGE WITHOUT NOTICE AT ANY TIME
- CUSTOMER OUTLINE DRAWING FOR REFERENCE ONLY