

REV	DESCRIPTION OF REVISION	By	DATE	APPROVED
A	INITIAL RELEASE	C. Cai	2023/9/12	C. Chen

## TECHNICAL DATA

### ► Electrical Data

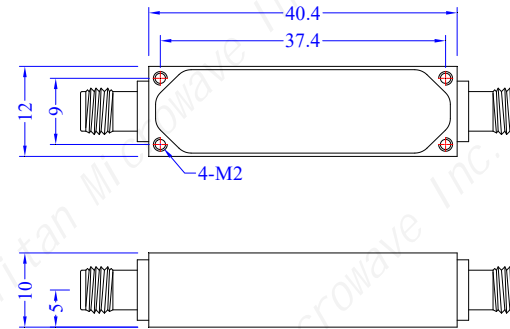
Pass Band Frequency	DC-4000MHz
Pass Band Insertion Loss	≤2.0dB
Pass Band VSWR	≤1.8:1
Stop Band Rejection	≥40dB@4300~8000MHz
Impedance	50 Ohms
Power Handling	5W(design assurance)

### ► Mechanical Data

Dimensions	40.4×12×10mm
Connectors	SMA-Female(stainless steel)
Surface Finish	Silver Plated

### ► Environmental Data

Temperature Range	-40℃~+85℃(design assurance)
-------------------	-----------------------------



DRAWN: L. Ma 12/09/23		
ENGINEER: J. Zhu 12/09/23		
APPROVED: C. Chen 12/09/23		
TOLERANCE UNLESS OTHERWISE SPECIFIED		
x	±0.50	[0.019"]
.x	±0.20	[0.008"]
.xx	±0.10	[0.004"]
ANGLES	±1°	

**TITLE:**  
Low Pass Filter, DC-4000MHz, Stop Band Rejection 40dB, 5W, SMA-Female

**PART No.:**  
TLF-4000-40S



[www.titan-microwave.com](http://www.titan-microwave.com)



DIMENSIONS IN MILLIMETERS(mm)

<b>SIZE:</b> A4	<b>SCALE:</b>	<b>SHEET:</b> 1/1	<b>REV:</b> A
--------------------	---------------	----------------------	------------------

**Notes:**

- ALL SPECIFICATIONS ARE SUBJECT TO CHANGE WITHOUT NOTICE AT ANY TIME
- CUSTOMER OUTLINE DRAWING FOR REFERENCE ONLY