

REV	DESCRIPTION OF REVISION	By	DATE	APPROVED
A	INITIAL RELEASE	C. Cai	2023/9/12	C. Chen

TECHNICAL DATA

► Electrical Data

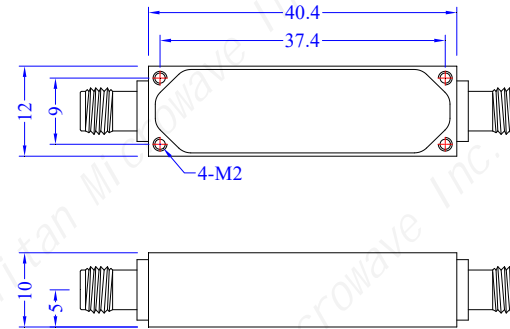
Pass Band Frequency	DC-6000MHz
Pass Band Insertion Loss	≤2.0dB
Pass Band VSWR	≤1.8:1
Stop Band Rejection	≥45dB@7500~12750MHz
Impedance	50 Ohms
Power Handling	5W(design assurance)

► Mechanical Data

Dimensions	40.4×12×10mm
Connectors	SMA-Female(stainless steel)
Surface Finish	Silver Plated

► Environmental Data

Temperature Range	-40℃~+85℃(design assurance)
-------------------	-----------------------------



DRAWN: L. Ma 12/09/23		
ENGINEER: J. Zhu 12/09/23		
APPROVED: C. Chen 12/09/23		
TOLERANCE UNLESS OTHERWISE SPECIFIED		
x	±0.50	[0.019"]
.x	±0.20	[0.008"]
.xx	±0.10	[0.004"]
ANGLES	±1°	

TITLE:

Low Pass Filter, DC-6000MHz, Stop Band Rejection 45dB, 5W, SMA-Female

PART No.:

TLF-6000-45S



www.titan-microwave.com



DIMENSIONS IN MILLIMETERS(mm)

SIZE:
A4

SCALE:

SHEET:
1/1

REV:
A

Notes:

- ALL SPECIFICATIONS ARE SUBJECT TO CHANGE WITHOUT NOTICE AT ANY TIME
- CUSTOMER OUTLINE DRAWING FOR REFERENCE ONLY