

REV	DESCRIPTION OF REVISION	By	DATE	APPROVED
A	INITIAL RELEASE	C. Cai	2023/7/11	C. Chen

TECHNICAL DATA

► Electrical Data

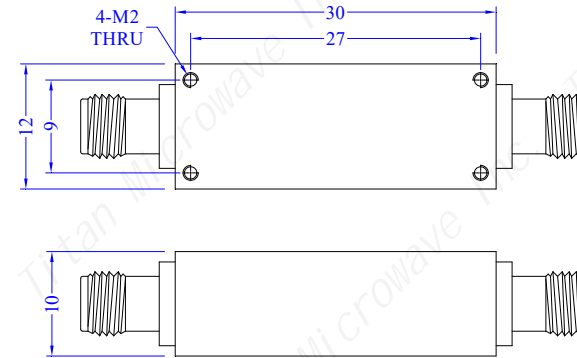
Pass Band Frequency	DC-900MHz
Pass Band Insertion Loss	≤1.0dB
Pass Band VSWR	≤1.5:1
Stop Band Rejection	≥60dB@1340~1750MHz, ≥65dB@1750~2000MHz
Impedance	50 Ohms
Power Handling	2W

► Mechanical Data

Dimensions	30×12×10mm
Connectors	SMA-Female(stainless steel)
Surface Finish	Silver Plated
Body	Copper H62

► Environmental Data

Temperature Range	-40℃~+85℃(design assurance)
-------------------	-----------------------------



DRAWN: L. Ma 11/07/23		
ENGINEER: J. Zhu 11/07/23		
APPROVED: C. Chen 11/07/23		
TOLERANCE UNLESS OTHERWISE SPECIFIED		
x	±0.50	[0.019"]
.x	±0.20	[0.008"]
.xx	±0.10	[0.004"]
ANGLES	±1°	

TITLE:
Low Pass Filter, DC-900MHz, Stop Band Rejection 65dB, 2W, SMA-Female

PART No.:
TLF-900-65S

成都巨人微波
TITAN MICROWAVE INC.
- A Professional RF & Microwave Components Supplier -

www.titan-microwave.com



DIMENSIONS IN MILLIMETERS(mm)

SIZE: A4	SCALE:	SHEET: 1/1	REV: A
--------------------	---------------	----------------------	------------------

Notes:

- ALL SPECIFICATIONS ARE SUBJECT TO CHANGE WITHOUT NOTICE AT ANY TIME
- CUSTOMER OUTLINE DRAWING FOR REFERENCE ONLY