

REV	DESCRIPTION OF REVISION	By	DATE	APPROVED
A	INITIAL RELEASE	C. Cai	2023/7/11	C. Chen

TECHNICAL DATA

► Electrical Data

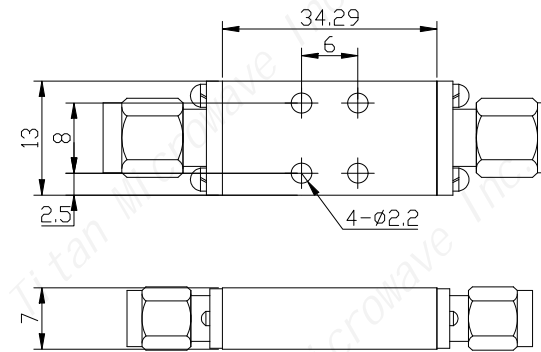
Pass Band Frequency	DC-13600MHz
Pass Band Insertion Loss	≤0.4dB
Pass Band VSWR	≤1.5:1
Stop Band Rejection	≥25dB@22000MHz, ≥40dB@25500~40000MHz
Impedance	50 Ohms
Power Handling	50W

► Mechanical Data

Dimensions	34.29×13×7mm
Connectors	SMA-Male
Surface Finish	Black Painted

► Environmental Data

Operating Temperature	-40℃~+70℃
Storage Temperature	-55℃~+85℃



DRAWN: L. Ma 11/07/23		
ENGINEER: J. Zhu 11/07/23		
APPROVED: C. Chen 11/07/23		
TOLERANCE UNLESS OTHERWISE SPECIFIED		
x	±0.50	[0.019"]
.x	±0.20	[0.008"]
.xx	±0.10	[0.004"]
ANGLES	±1°	

TITLE:
Low Pass Filter, DC-13600MHz, Stop Band Rejection 40dB, 50W, SMA-Male/Female

PART No.:
TLF-13600-40S

 成都巨人微波
TITAN MICROWAVE INC.
- A Professional RF & Microwave Components Supplier -

www.titan-microwave.com



DIMENSIONS IN MILLIMETERS(mm)

SIZE: A4	SCALE:	SHEET: 1/1	REV: A
--------------------	---------------	----------------------	------------------

Notes:

- ALL SPECIFICATIONS ARE SUBJECT TO CHANGE WITHOUT NOTICE AT ANY TIME
- CUSTOMER OUTLINE DRAWING FOR REFERENCE ONLY