

REV	DESCRIPTION OF REVISION	By	DATE	APPROVED
A	INITIAL RELEASE	C. Cai	2023/7/11	C. Chen

## TECHNICAL DATA

### ► Electrical Data

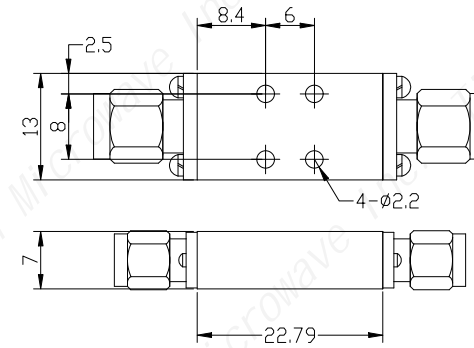
Pass Band Frequency	DC-22500MHz
3dB Frequency	23600MHz
Pass Band Insertion Loss	≤1.3dB@DC~22500MHz
Pass Band VSWR	≤1.7:1
Stop Band Rejection	≥25dB@27700MHz, ≥40dB@33000MHz
Impedance	50 Ohms
Power Handling	50W

### ► Mechanical Data

Dimensions	22.79××13×7mm
Connectors	SMA-Male
Surface Finish	Black Painted

### ► Environmental Data

Operating Temperature	-40℃~+70℃
Storage Temperature	-55℃~+85℃



DRAWN: L. Ma 11/07/23		
ENGINEER: J. Zhu 11/07/23		
APPROVED: C. Chen 11/07/23		
TOLERANCE UNLESS OTHERWISE SPECIFIED		
x	±0.50	[0.019"]
.x	±0.20	[0.008"]
.xx	±0.10	[0.004"]
ANGLES	±1°	

**TITLE:**  
Low Pass Filter, DC-22500MHz, Stop Band Rejection 40dB, 50W, SMA-Male

**PART No.:**  
TLF-22500-40S



[www.titan-microwave.com](http://www.titan-microwave.com)



DIMENSIONS IN MILLIMETERS(mm)

<b>SIZE:</b> A4	<b>SCALE:</b>	<b>SHEET:</b> 1/1	<b>REV:</b> A
--------------------	---------------	----------------------	------------------

**Notes:**

- ALL SPECIFICATIONS ARE SUBJECT TO CHANGE WITHOUT NOTICE AT ANY TIME
- CUSTOMER OUTLINE DRAWING FOR REFERENCE ONLY