

REV	DESCRIPTION OF REVISION	By	DATE	APPROVED
A	INITIAL RELEASE	C. Cai	2024/5/17	C. Chen

TECHNICAL DATA

► Electrical Data

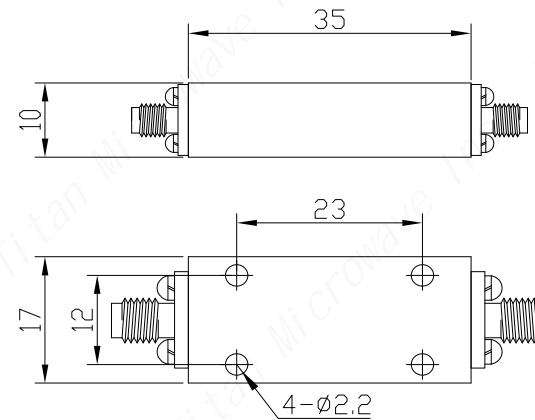
Stop Band Frequency	27.5~28.35GHz
Stop Band Attenuation	≥60dB
Pass Band Frequency	DC~26.3GHz & 29.55~50GHz
Pass Band Insertion Loss	≤3.0dB
Pass Band VSWR	≤2.0:1
Power Handling	1W
Impedance	50 Ohms

► Mechanical Data

Dimensions	35×17×10mm
Connectors	2.92mm-Female
Surface Finish	Black Painted

► Environmental Data

Operating Temperature	-30℃~+70℃
Storage Temperature	-55℃~+85℃



DRAWN: L. Ma 17/05/24		
ENGINEER: J. Zhu 17/05/24		
APPROVED: C. Chen 17/05/24		
TOLERANCE UNLESS OTHERWISE SPECIFIED		
x	±0.50	[0.019"]
.x	±0.20	[0.008"]
.xx	±0.10	[0.004"]
ANGLES	±1°	

TITLE:

Band Reject Filter,
27.5~28.35GHz, Stop
Band Rejection 60dB, 1W,
2.92mm-Female

PART No.:

TRF-27502835-60K



www.titan-microwave.com



DIMENSIONS IN MILLIMETERS(mm)

SIZE: A4	SCALE:	SHEET: 1/1	REV: A
-------------	--------	---------------	-----------

Notes:

- ALL SPECIFICATIONS ARE SUBJECT TO CHANGE WITHOUT NOTICE AT ANY TIME
- CUSTOMER OUTLINE DRAWING FOR REFERENCE ONLY